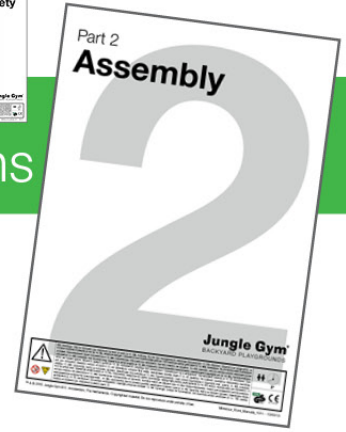


# Part 2

# Assembly

# Instructions

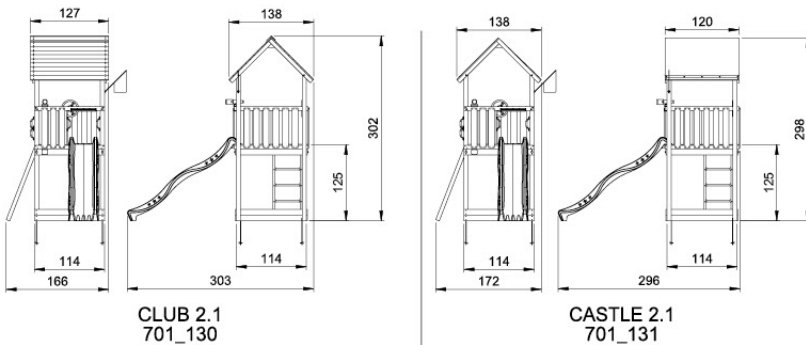
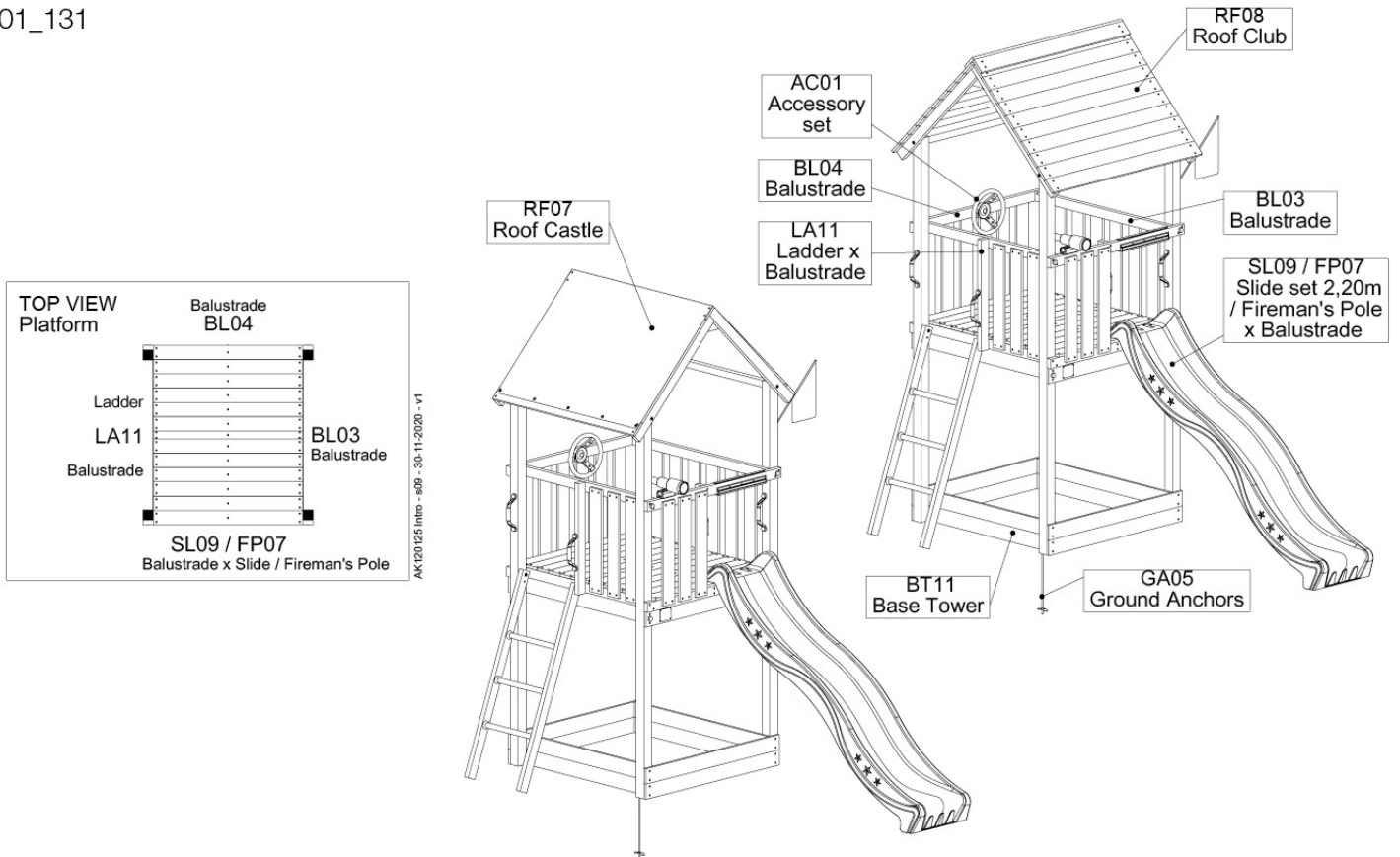


## Jungle Club 2.1 &

801\_130

## Jungle Castle 2.1

801\_131



# Jungle Gym

BACKYARD PLAYGROUNDS

since 1988

|  |   |                      |
|--|---|----------------------|
|  | <p>EN. Warnings. Only for domestic use. Maximum number of users is 6. <b>DE.</b> Achtung. Nur für den Hausgebrauch. Maximale Benutzerzahl: 6. <b>FR.</b> Attention. Réserve à un usage familial. Le nombre maximal d'utilisateurs est de 6. <b>NL.</b> Waarschuwingen. Uitsluitend voor huishoudelijk gebruik. Het maximale aantal gebruikers is 6. <b>BG.</b> Внимание. За употреба само в домашни условия. Максималният брой потребители е 6. <b>CS.</b> Varování. Jen pro domácí použití. Maximální počet uživatelů je 6. <b>DA.</b> Advarsel. Kun til privat brug. Maksimum antal brugere er 6. <b>EL.</b> Προειδοποίηση. Μόνο για οικιακή χρήση. Μέγιστος αριθμός χρηστών 6. <b>ES.</b> Advertencias. Solo para uso doméstico. Número máximo de usuarios: 6. <b>ET.</b> Holatused. Ainult koduseks kasutamiseks. Maksimaalne kasutajate arv on 6. <b>FI.</b> Varoitukset. Ainoastaan kotikäyttöön. Käyttäjää yhteensä enintään 6. <b>HR.</b> Upozorenja. Samo za kućansku uporabu. Maksimalan broj korisnika je 6. <b>HU.</b> Figyelmeztetések. Csak otthoni használatra! A használók max. száma: 6. <b>IS.</b> Varnaðarorð. Engöngu fyrir einhnanotkun í heimahúsum og á einaklóðum. Hámarksfjöldi notenda er 6. <b>IT.</b> Avvertenze. Solo per uso domestico. Massimo numero di utenti è 6. <b>LT.</b> Įspėjimai. Tik buitnam naudojimui. Maksimalus naudotojų skaičius 6. <b>LV.</b> Brīdinājumi. Izmanto tikai mājās. Maksimālais lietotāju skaits ir 6. <b>NO.</b> Advarsel. Kun for privat bruk. Maksimalt antall brukere er 6. <b>PL.</b> Ostrzeżenia. Wyłącznie do użytku domowego. Maksymalna liczba użytkowników to 6. <b>PT.</b> Avisos. Apenas para uso doméstico. O número máximo de utilizadores é 6. <b>RO.</b> Avertismente. Numai pentru uz domestic. Numărul maxim de utilizatori este 6. <b>RU.</b> Предостережения. Только для домашнего использования. Максимальное количество пользователей - 6. <b>SK.</b> Upozornenia. Iba na domáce použitie. Maximálne množstvo osôb je 6. <b>SL.</b> Opozorila. Samo za domačo uporabo. Maksimalno število uporabnikov je 6. <b>SR.</b> Upozorenja. Samo za kućnu upotrebu. Maksimalan broj korisnika je 6. <b>SV.</b> Varningar. Endast för hemmabruk. Det maximala antalet användare är 6. <b>TR.</b> Uyarılar. Sadece ev kullanımı için. Maksimum kullanıcı sayısı 6.</p> | <p>4<sup>h</sup></p> |
|  |   |                      |

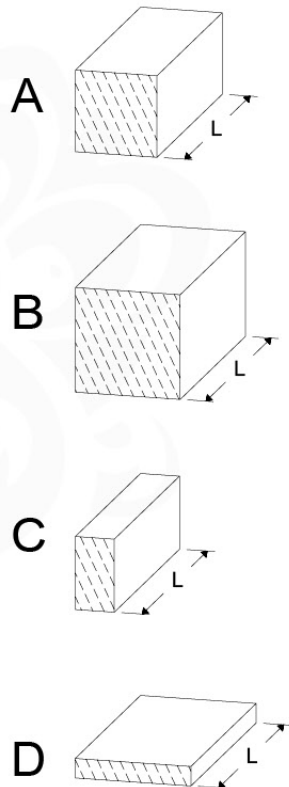
# What's in the delivery?

401\_125 / 123\_222 (Jungle Castle 2.1)

|   |   |                       |   |   |
|---|---|-----------------------|---|---|
| <p>1x<br/>040_805</p> <p>1x<br/>040_030</p> | <p>1x<br/>022_300</p>                       | <p>1x<br/>120_024</p> | <p>2x<br/>007_001</p>                       | <p>4x<br/>022_320</p>                                       |
| <p>1x<br/>103_901</p>                       | <p>1x<br/>122_302</p> <p>1x<br/>022_800</p> | <p>1x<br/>123_200</p> | <p>1x<br/>104_107</p>                       | <p>1x<br/>100_051</p>                                       |
| <p>1x<br/>022_910</p>                       | <p>3x<br/>005_03x</p> <p>6x<br/>022_835</p> | <p>8x<br/>120_005</p> | <p>1x<br/>120_243</p> <p>9x<br/>022_845</p> | <p>(Jungle Castle 2.1)<br/>1x<br/>123_222</p> <p>Canvas</p> |

## Timber

Jungle Club 2.1 | Castle 2.1



| L                                   |  |  |  |
|-------------------------------------|--|--|--|
|                                     |  | 601_130<br>Jungle<br>Club 2.1              | 601_131<br>Jungle<br>Castle 2.1          |
| A240                                | 239cm - 240cm  | 4 x  | 4 x                                      |
| -                                   | -  | -  | -  |
| C130<br>C114<br>C96<br>C90<br>C70   | 129cm - 130cm<br>113cm - 114cm<br>95cm - 97cm<br>89cm - 90cm<br>69cm - 70cm    | 2 x<br>9 x<br>2 x<br>2 x<br>2 x            | 2 x<br>9 x<br>2 x<br>2 x<br>2 x          |
| D127<br>D120<br>D114<br>D100<br>D65 | 126cm - 127cm<br>119cm - 120cm<br>113cm - 114cm<br>99cm - 100cm<br>64cm - 65cm | 18 - 24 x<br><br>12 x<br>13 - 14 x<br>19 x | <br><br>3 x<br>12 x<br>13 - 14 x<br>19 x |

output: 02/12/20

# General Hardware Types

|  |  | L   |  |
|--|--|---|--|
|  |  | 000_101   | 20 mm                                      |
|  |  | 001_102   | 30 mm                                      |
|  |  | 001_404<br>001_406<br>001_411<br>001_417<br>001_422 | 30 mm<br>45 mm<br>60 mm<br>80 mm<br>137 mm |
|  |  | 002_036   | 16 mm                                      |
|  |  | 002_041   | 20 mm                                      |
|  |  | 002_042   | 13 mm                                      |
|  |  | 002_301   | 40 mm                                      |

|  |  | L  |                                  |
|--|--|--|----------------------------------|
|  |  | 002_308<br>002_219<br>002_220<br>002_223 | 20 mm<br>30 mm<br>45 mm<br>80 mm |
|  |  | 003_010                                  |                                  |
|  |  | 003_034                                  |                                  |
|  |  | 004_050                                  | 22mm                             |
|  |  | 022_845<br>022_846<br>022_847<br>022_848 | Yellow<br>Blue<br>Green<br>Red   |
|  |  | 023_031                                  | White                            |
|  |  | 120_005                                  | White                            |

output: 20/11/20

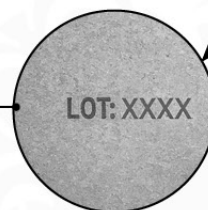
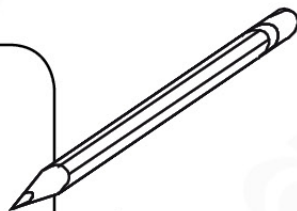
## 01 Product Identification



Art. Description: \_\_\_\_\_

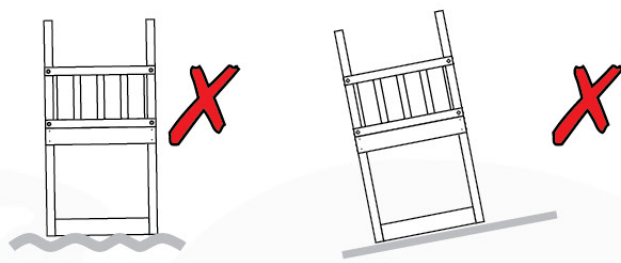
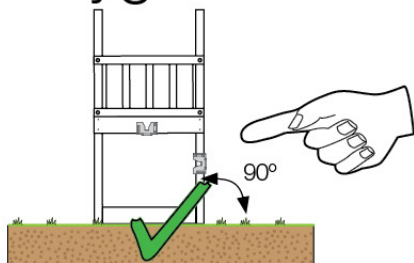
Art. Reference: \_\_\_\_\_

**LOT:** \_\_\_\_\_

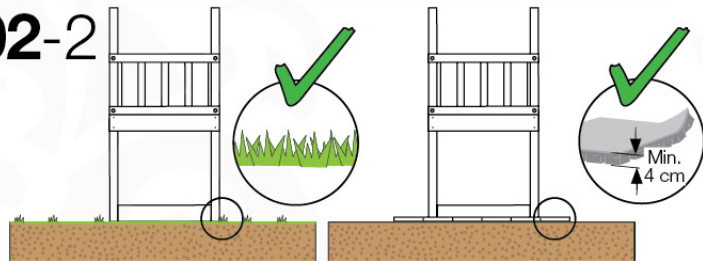


# 02 Safe Playground

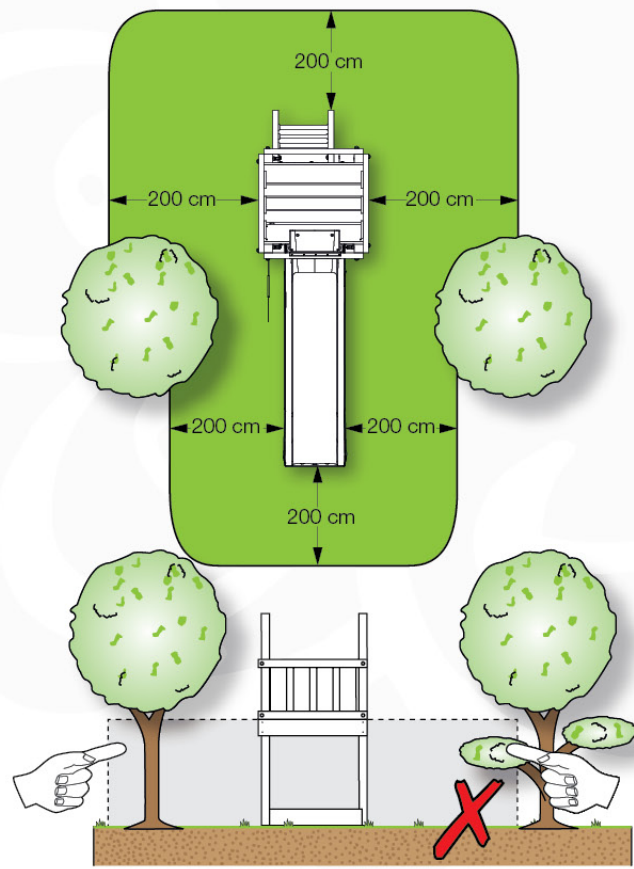
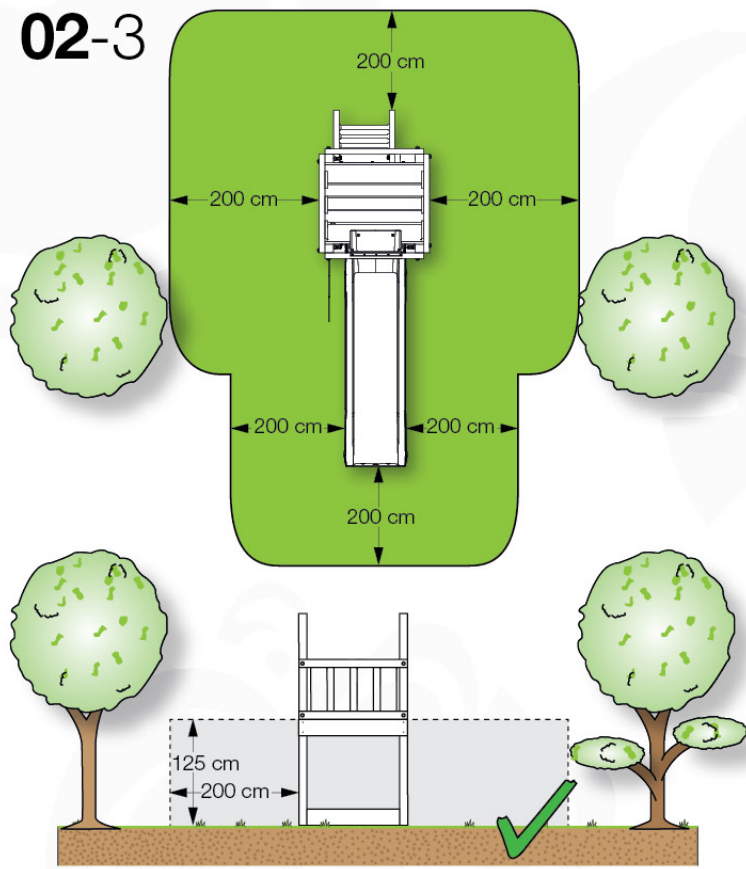
## 02-1



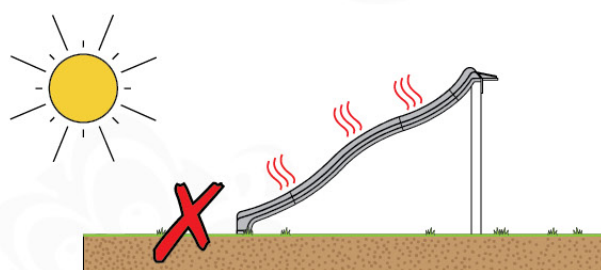
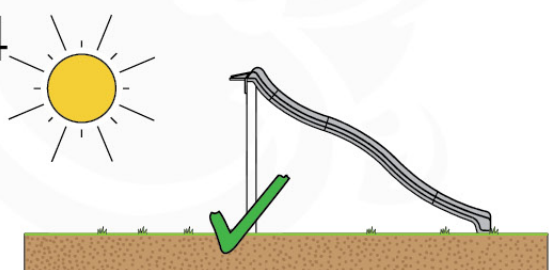
## 02-2



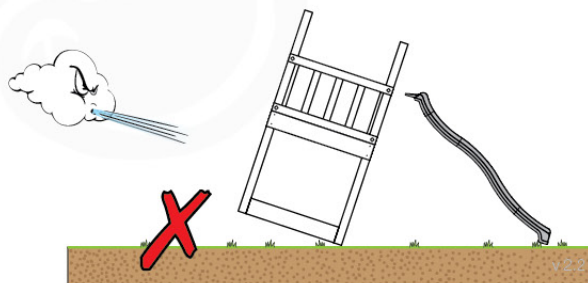
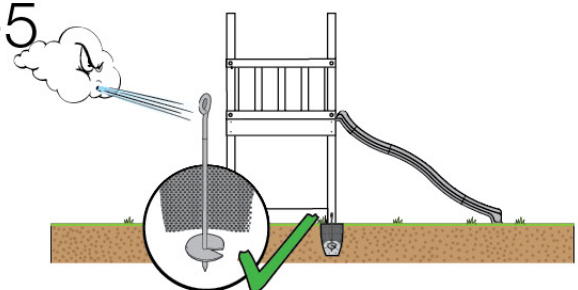
## 02-3



## 02-4



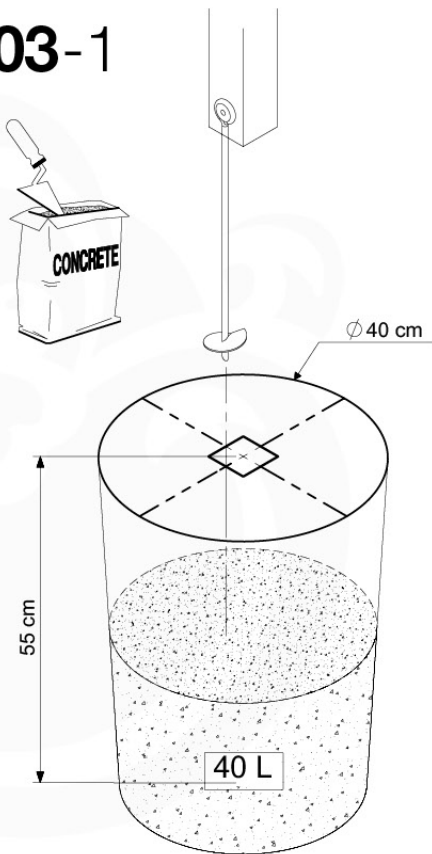
## 02-5



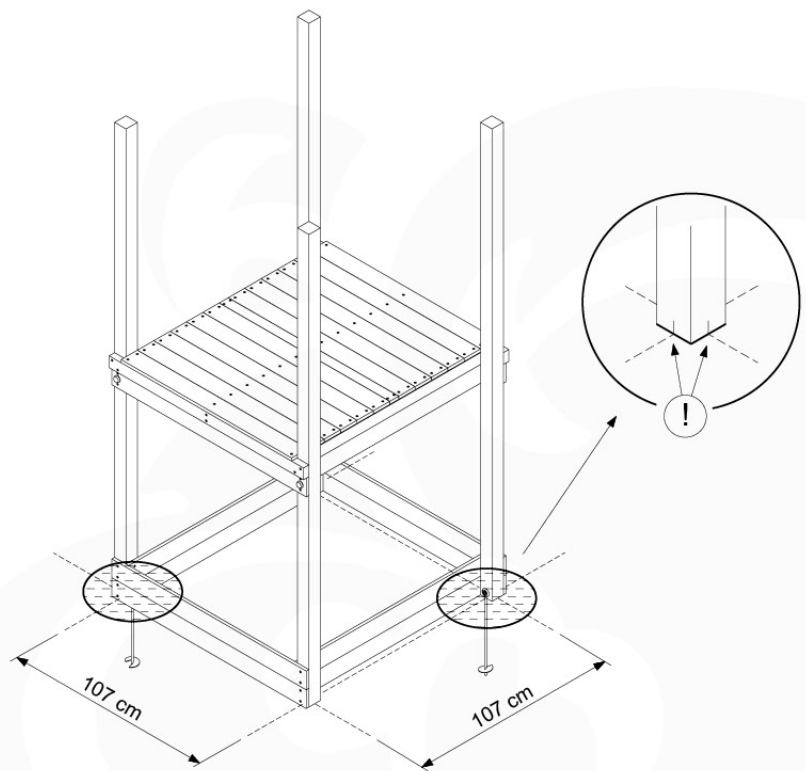
# 03 Playground Foundation

FD05

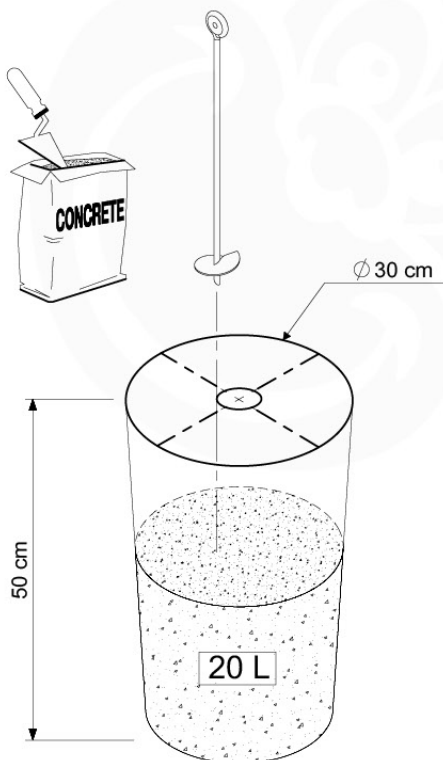
## 03-1



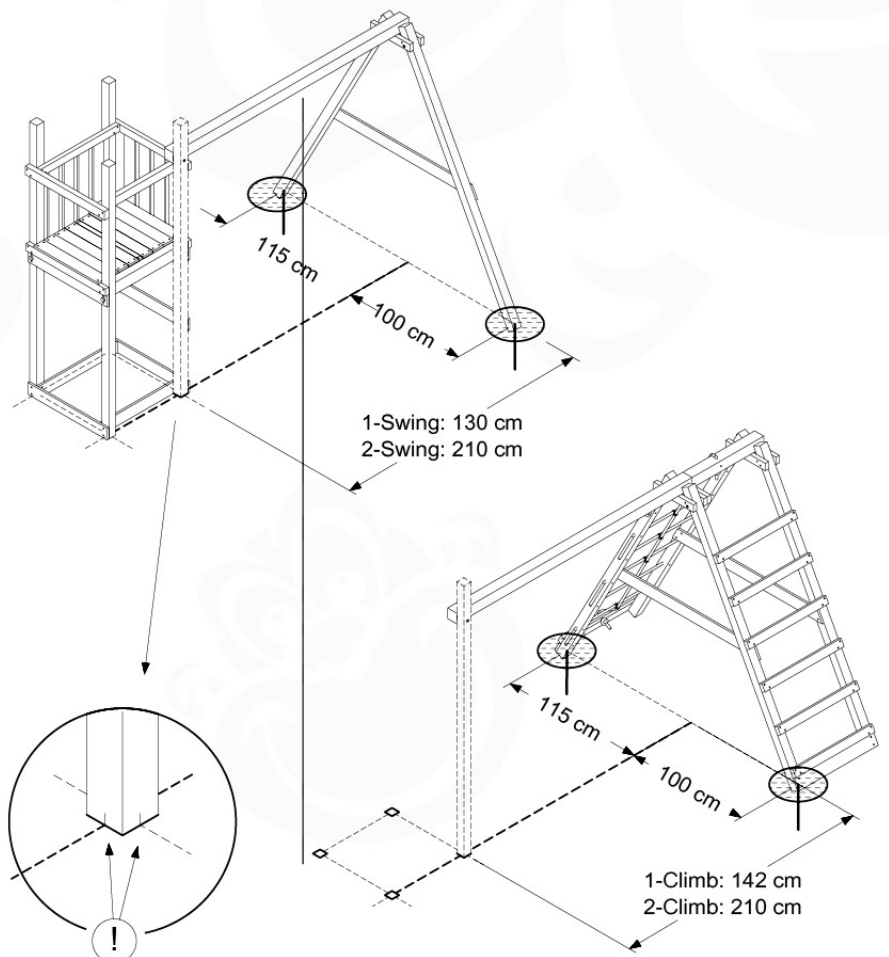
Foundation Plan - P07 - 27-11-2020 - v3



## 03-2



Foundation Plan - P06 - 27-11-2020 - v3

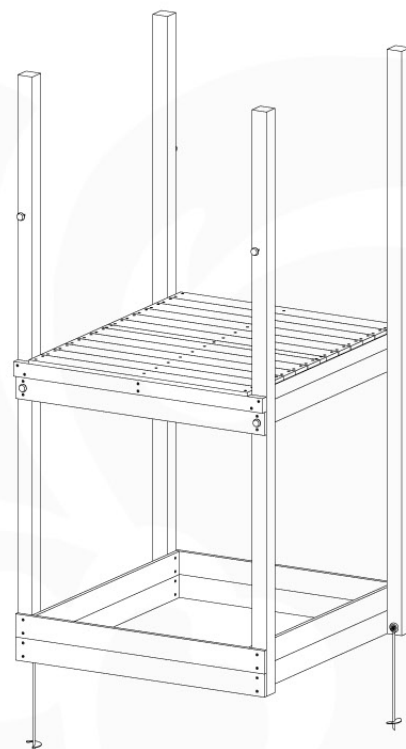


# 04 Base Tower

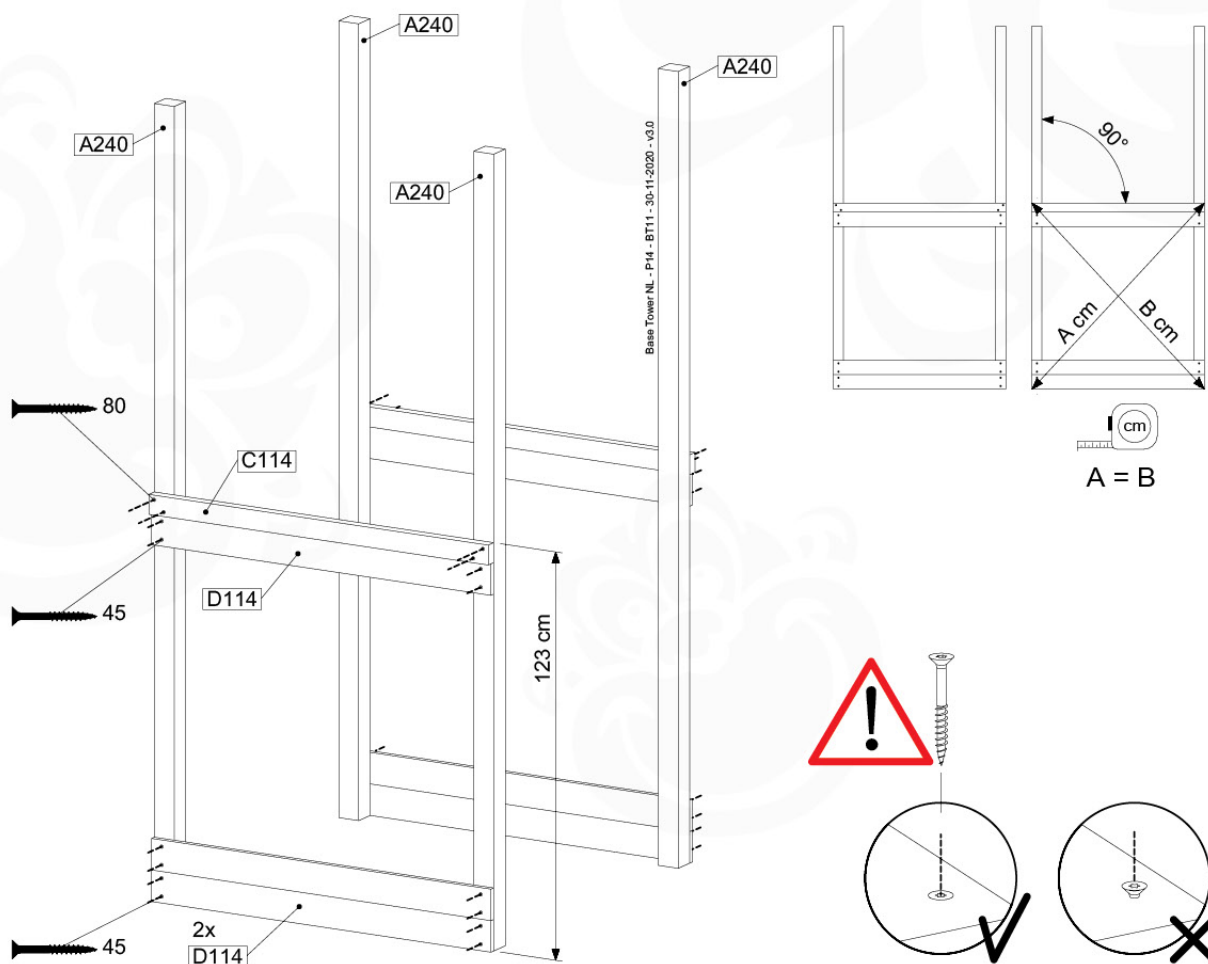
BT11

|               | PartNo  | PartName                   | QTY.  |
|---------------|---------|----------------------------|-------|
| Hardware Pack | 001_406 | Stealth Screw 8x45         | 10    |
|               | 002_220 | Gap Point Screw T25 - 5x45 | 118   |
|               | 002_223 | Gap Point Screw T25 - 5x80 | 20    |
| Other         | 007_001 | Ground-anchor              | 2     |
| Hardware Pack | 022_31x | bpc-base version 3         | 8     |
|               | 022_84x | bpc cover                  | 8     |
| Timber        | A240    | Post 70x70 L2400           | 4     |
|               | C114    | Beam 1140 mm               | 5     |
|               | D100    | Board 1000 mm              | 11-14 |
|               | D114    | Board 1140 mm              | 12    |

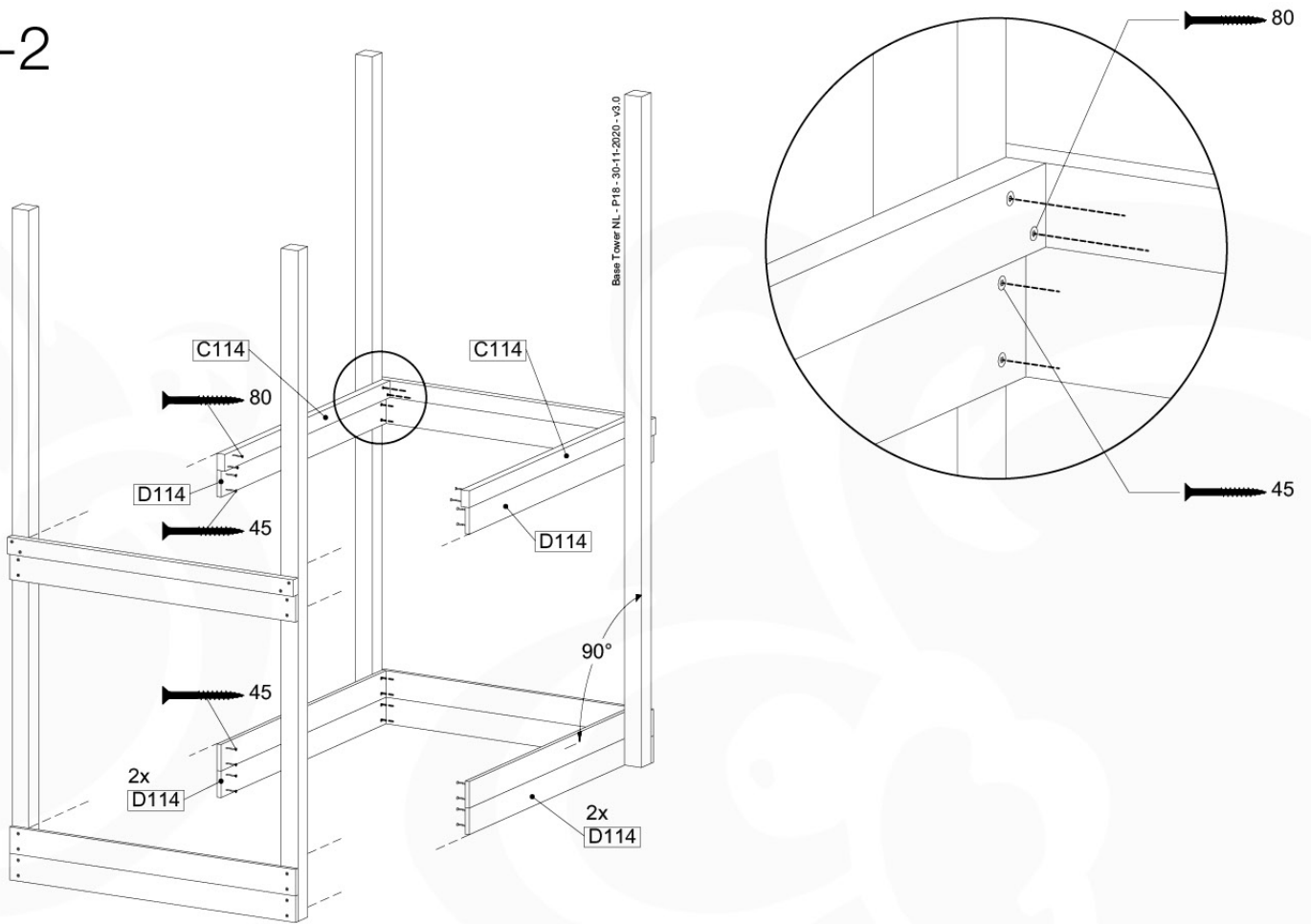
Base Tower NL - P06 - BT11 - 30-11-2020 - v3.0



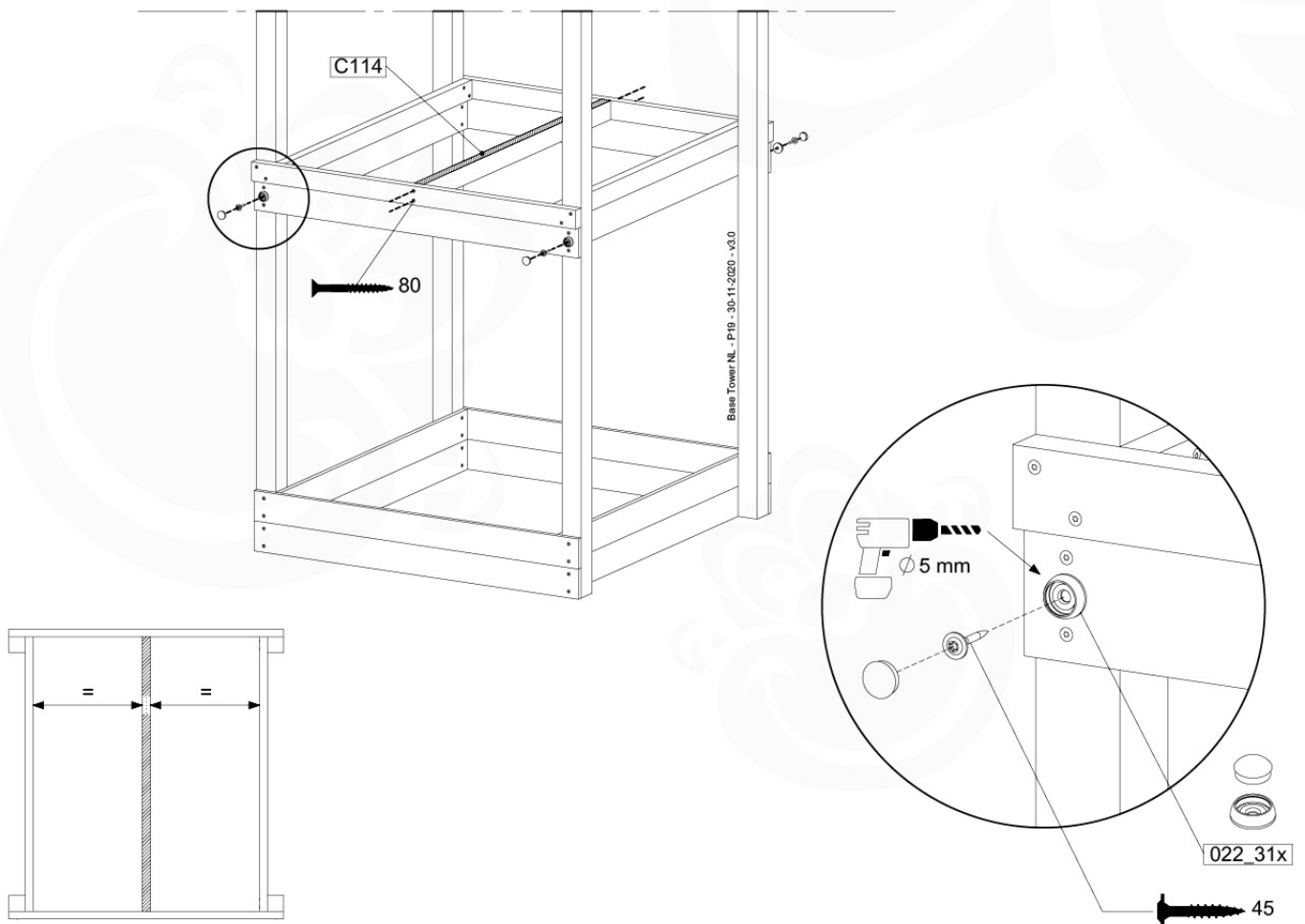
## 04-1



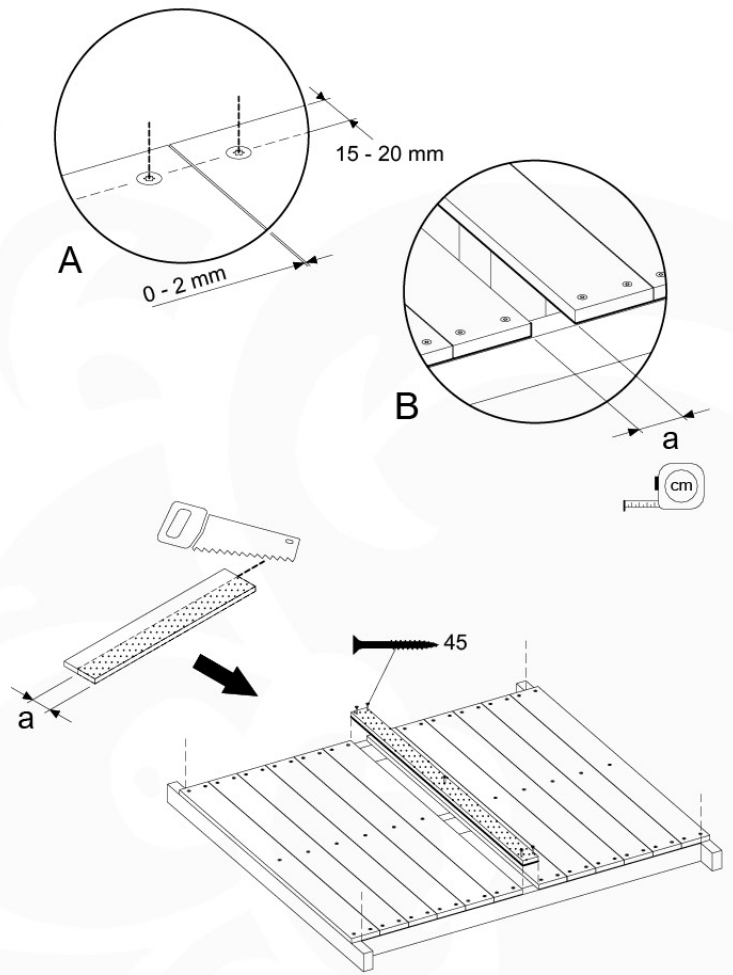
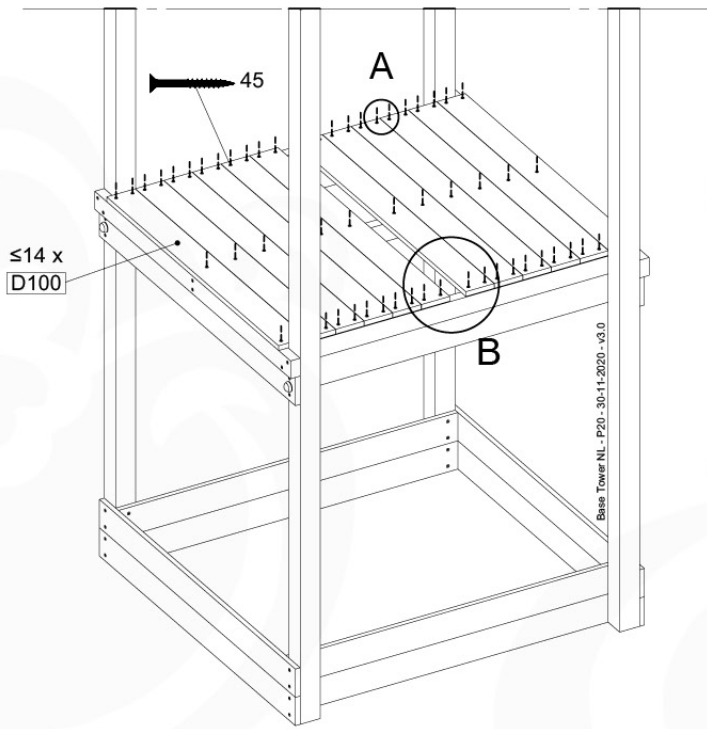
# 04-2



# 04-3

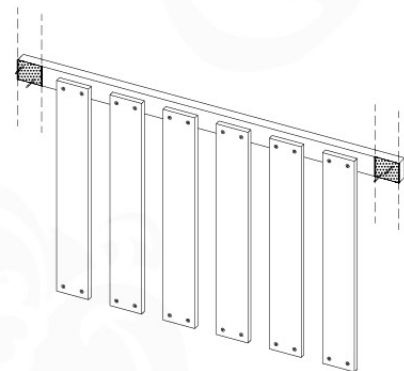


# 04-4



# 05 Balustrade (1x)

BL03

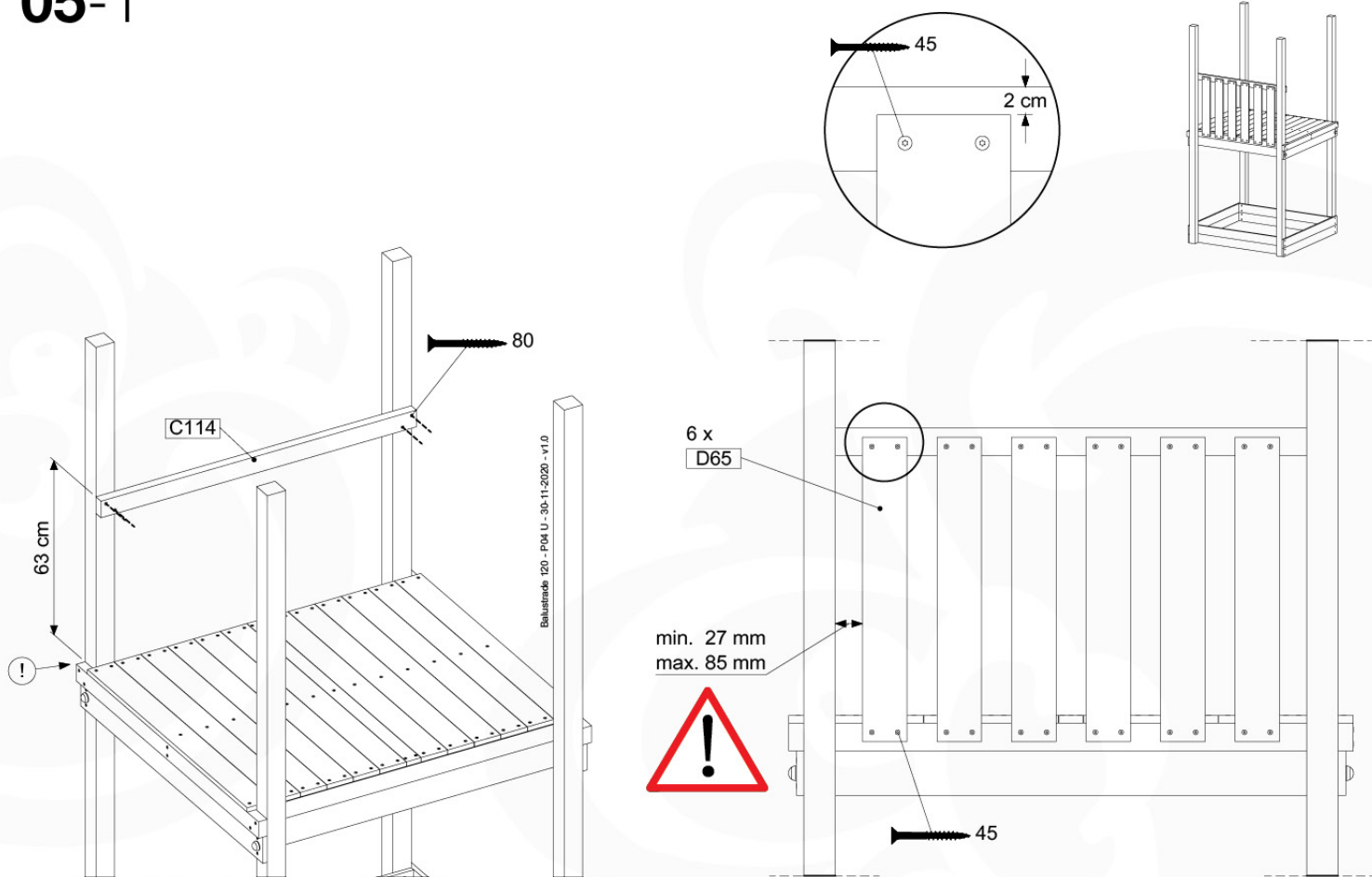


|               | PartNo  | PartName                   | QTY. |
|---------------|---------|----------------------------|------|
| Hardware Pack | 002_220 | Gap Point Screw T25 - 5x45 | 24   |
|               | 002_223 | Gap Point Screw T25 - 5x80 | 4    |
| Timber        | C114    | Beam 1140 mm               | 1    |
|               | D65     | Board 650 mm               | 6    |

Balustrade 120 - P02 U - 30-11-2020 - v1.0

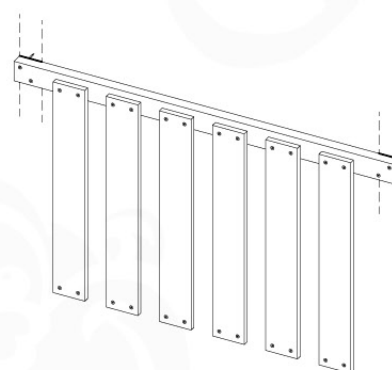


# 05-1



# 06 Balustrade (1x)

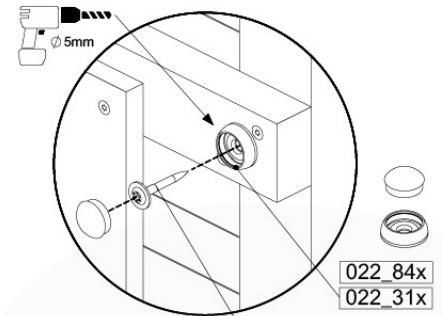
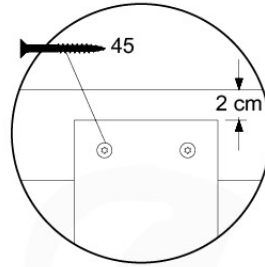
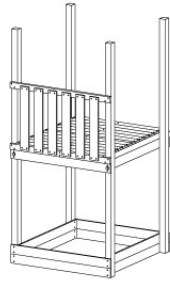
BL04



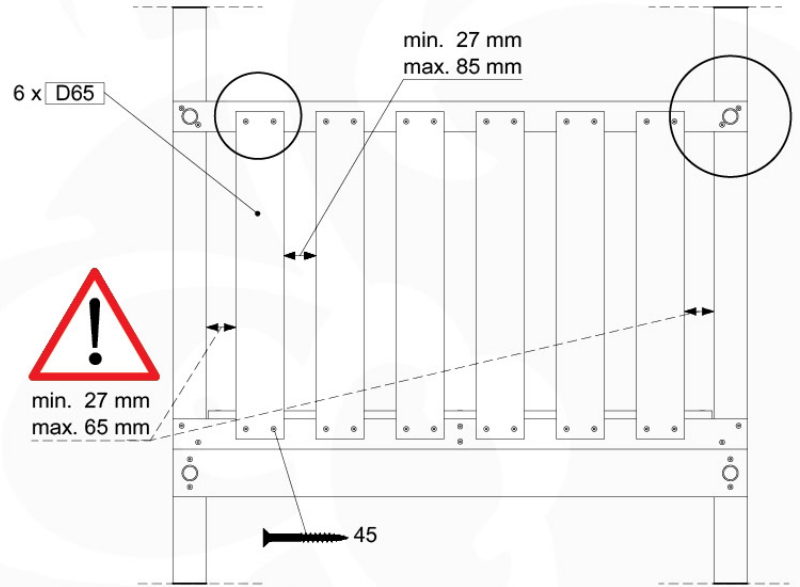
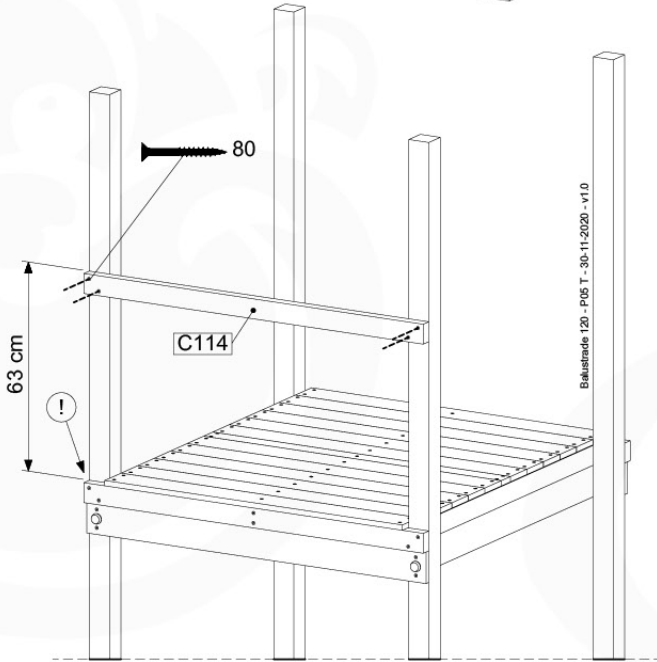
|               | PartNo  | PartName                   | QTY. |
|---------------|---------|----------------------------|------|
| Hardware Pack | 002_220 | Gap Point Screw T25 - 5x45 | 24   |
|               | 002_223 | Gap Point Screw T25 - 5x80 | 4    |
| Timber        | C114    | Beam 1140 mm               | 1    |
|               | D65     | Board 650 mm               | 6    |

Balustrade 120 - P04 U - 30-11-2020 - v1.0

# 06-1



HARDWARE PACK TOWER → 45



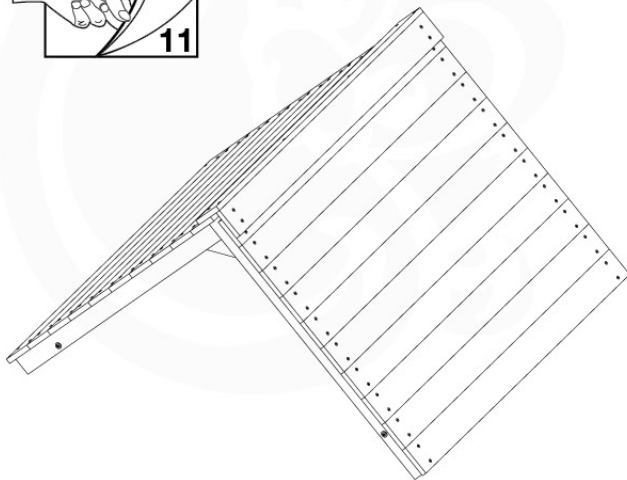
# 07 Roof

Club

**08**



11

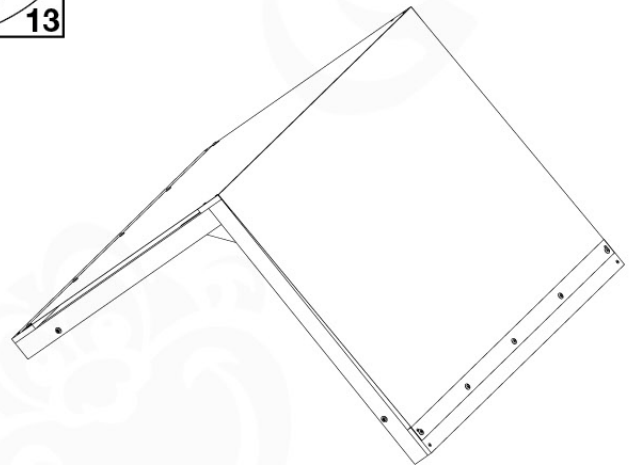


Castle

**09**

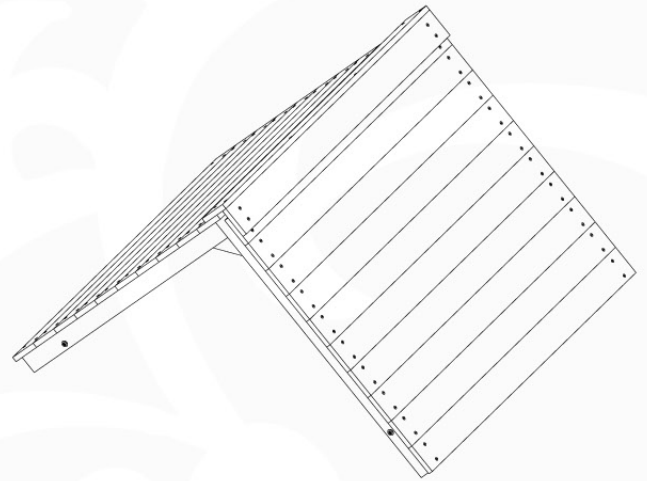


13



# 08 Roof Club

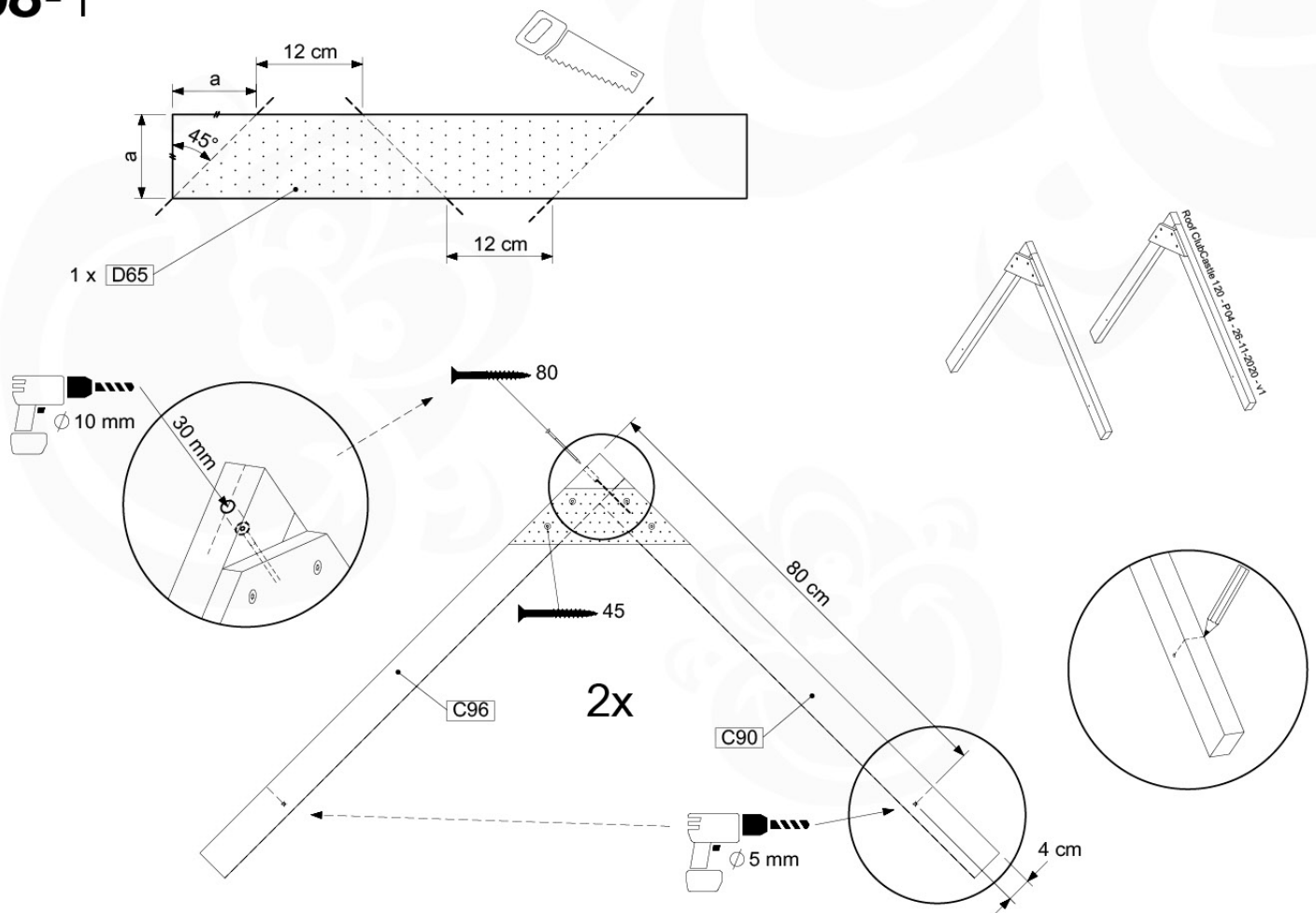
RF08



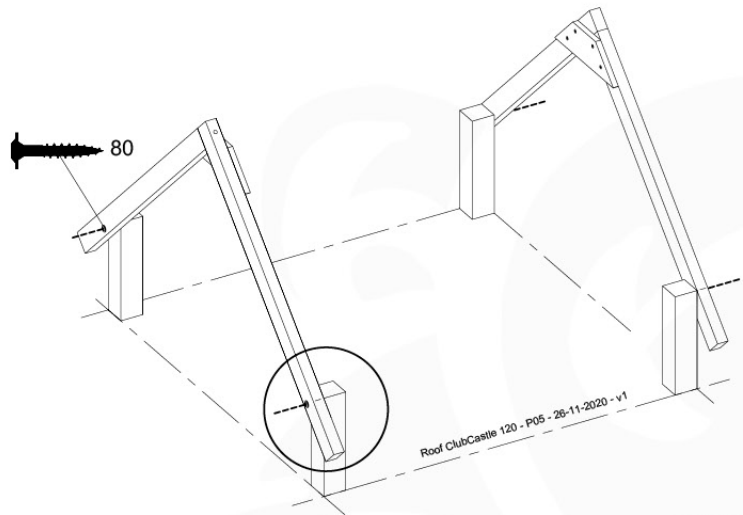
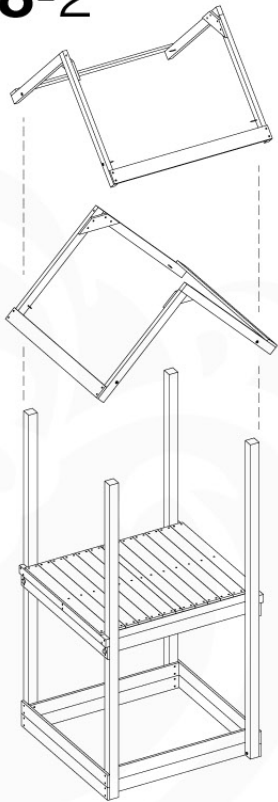
|               | PartNo  | PartName                   | QTY.  |
|---------------|---------|----------------------------|-------|
| Hardware Pack | 001_417 | Stealth Screw 8x80         | 4     |
|               | 002_220 | Gap Point Screw T25 - 5x45 | 100   |
|               | 002_223 | Gap Point Screw T25 - 5x80 | 8     |
| Timber        | C90     | Beam 900 mm                | 2     |
|               | C96     | Beam L=(900+beamheight) mm | 2     |
|               | D65     | Board 650 mm               | 1     |
|               | D127    | Board 1270 mm              | 18-24 |

Roof Club/Castle 120 - P03 - RF08 - 26-11-2020 - v1

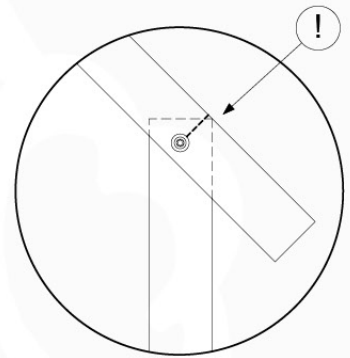
## 08-1



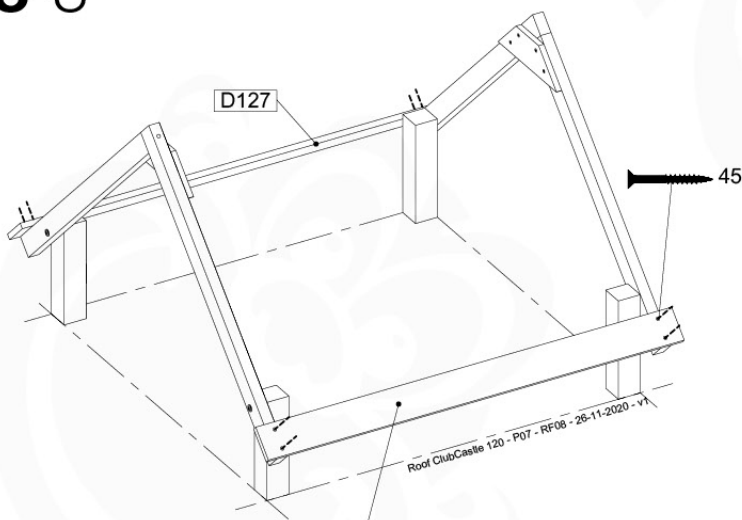
# 08-2



Roof ClubCastle 120 - P05 - 26-11-2020 - v1



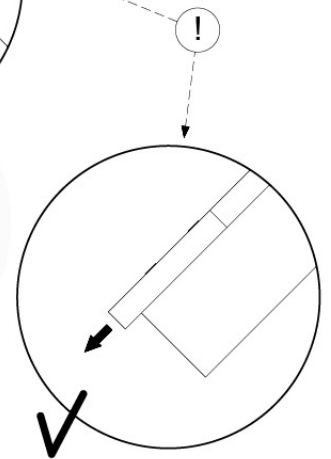
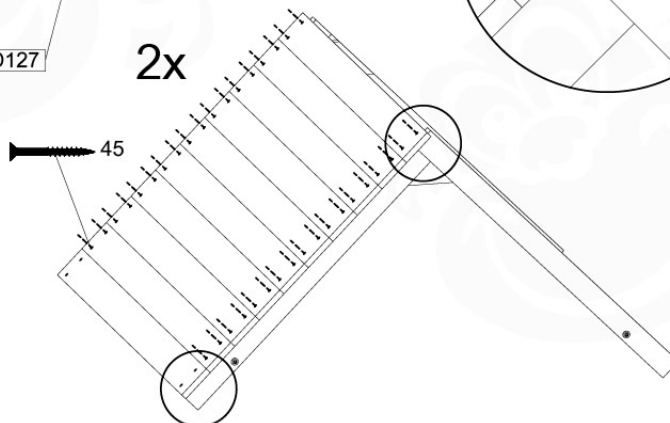
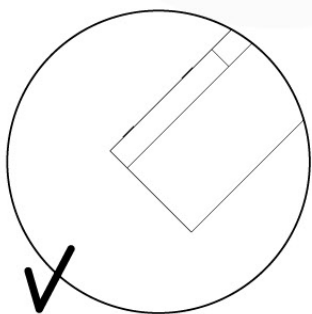
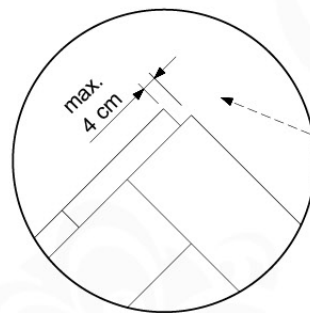
# 08-3



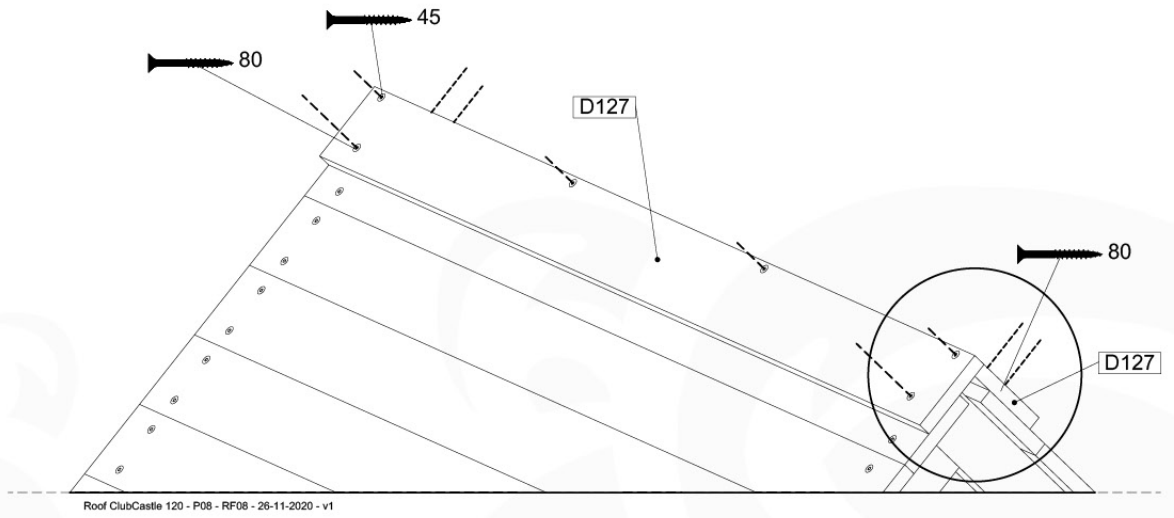
Roof ClubCastle 120 - P07 - RF06 - 26-11-2020 - v1

≤ 11 x D127

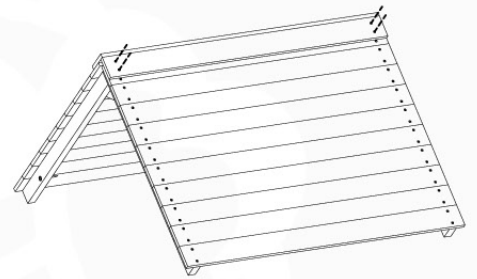
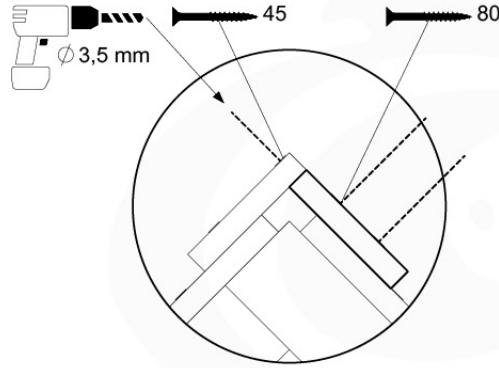
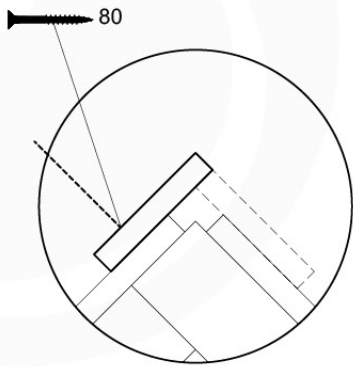
2x



# 08-4



Roof ClubCastle 120 - P08 - RF08 - 26-11-2020 - v1

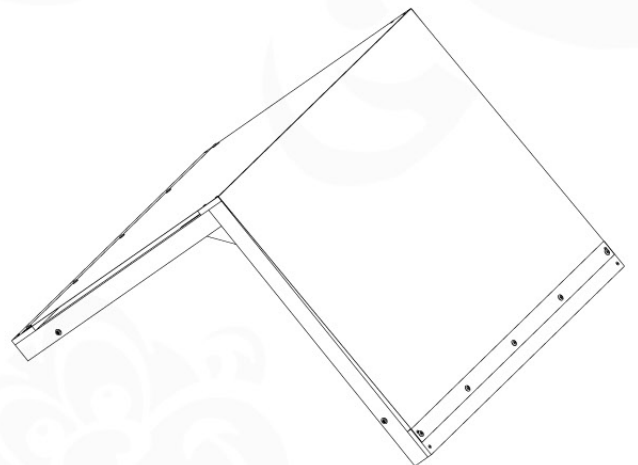


# 09 Roof Castle

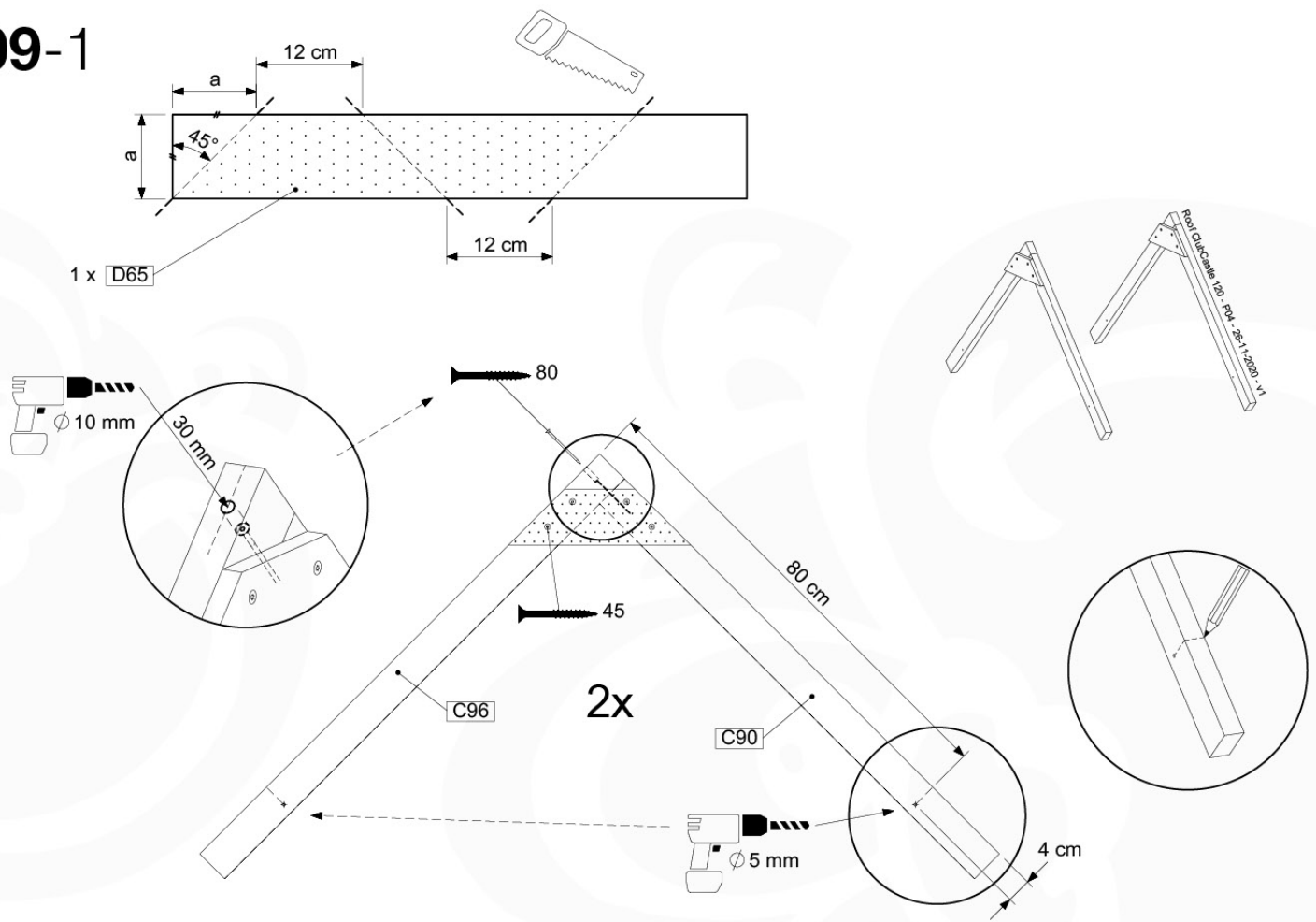
## RF07

|               | PartNo  | PartName                              | QTY. |
|---------------|---------|---------------------------------------|------|
| Hardware Pack | 001_417 | Stealth Screw 8x80                    | 4    |
|               | 002_220 | Gap Point Screw T25 - 5x45            | 20   |
|               | 002_223 | Gap Point Screw T25 - 5x80            | 2    |
|               | 002_308 | Gap Point Screw T25 - 5x20            | 10   |
|               | 023_031 | Finishing Washer GPS 5.0              | 10   |
| Other         | 123_222 | Sheet Canvas Navigator Line 1200x1850 | 1    |
| Timber        | C90     | Beam 900 mm                           | 2    |
|               | C96     | Beam L=(900+beamheight) mm            | 2    |
|               | D65     | Board 650 mm                          | 1    |
|               | D120    | Board 1200 mm                         | 3    |

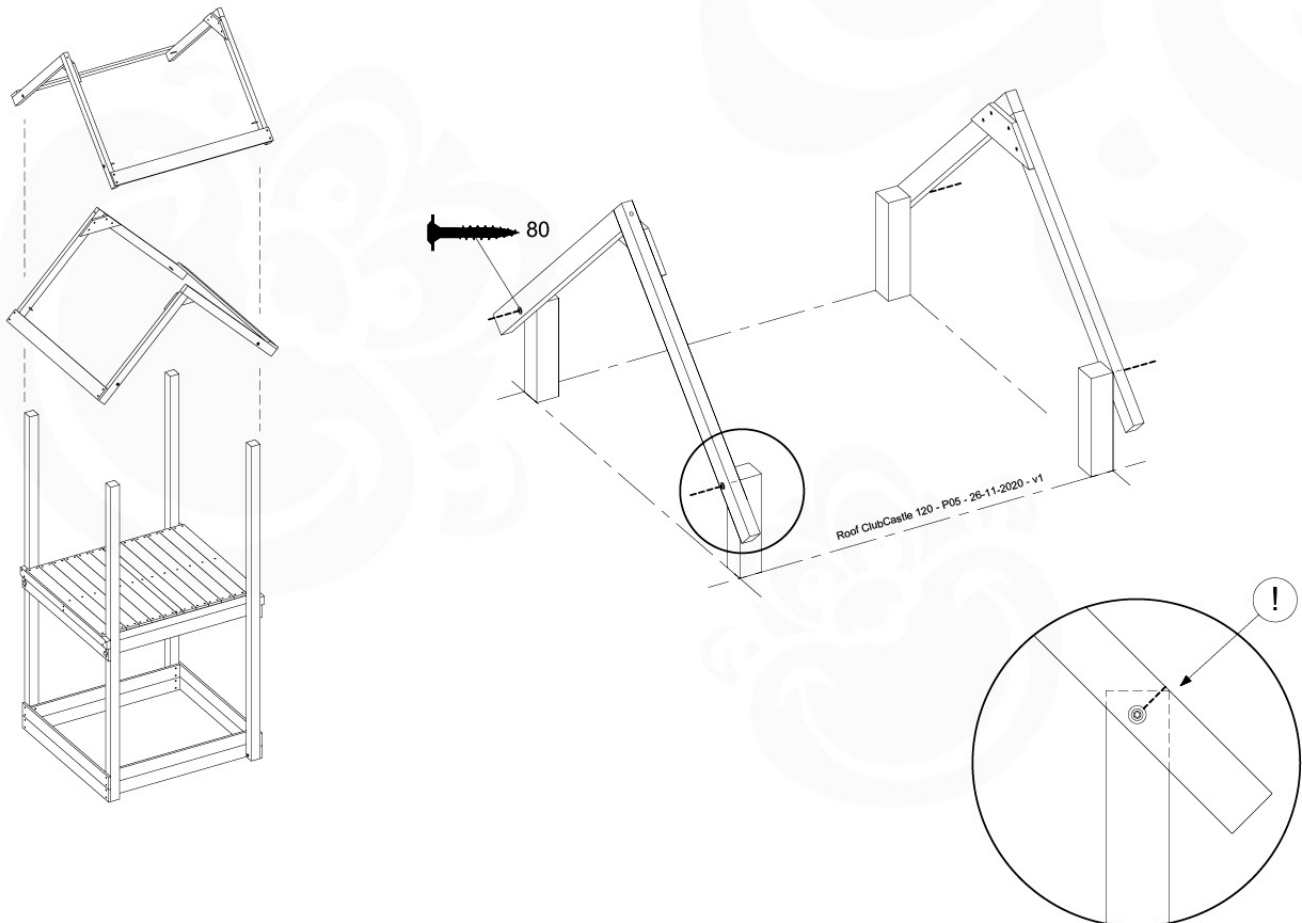
Roof ClubCastle 120 - P02 - RF07 - 26-11-2020 - v1



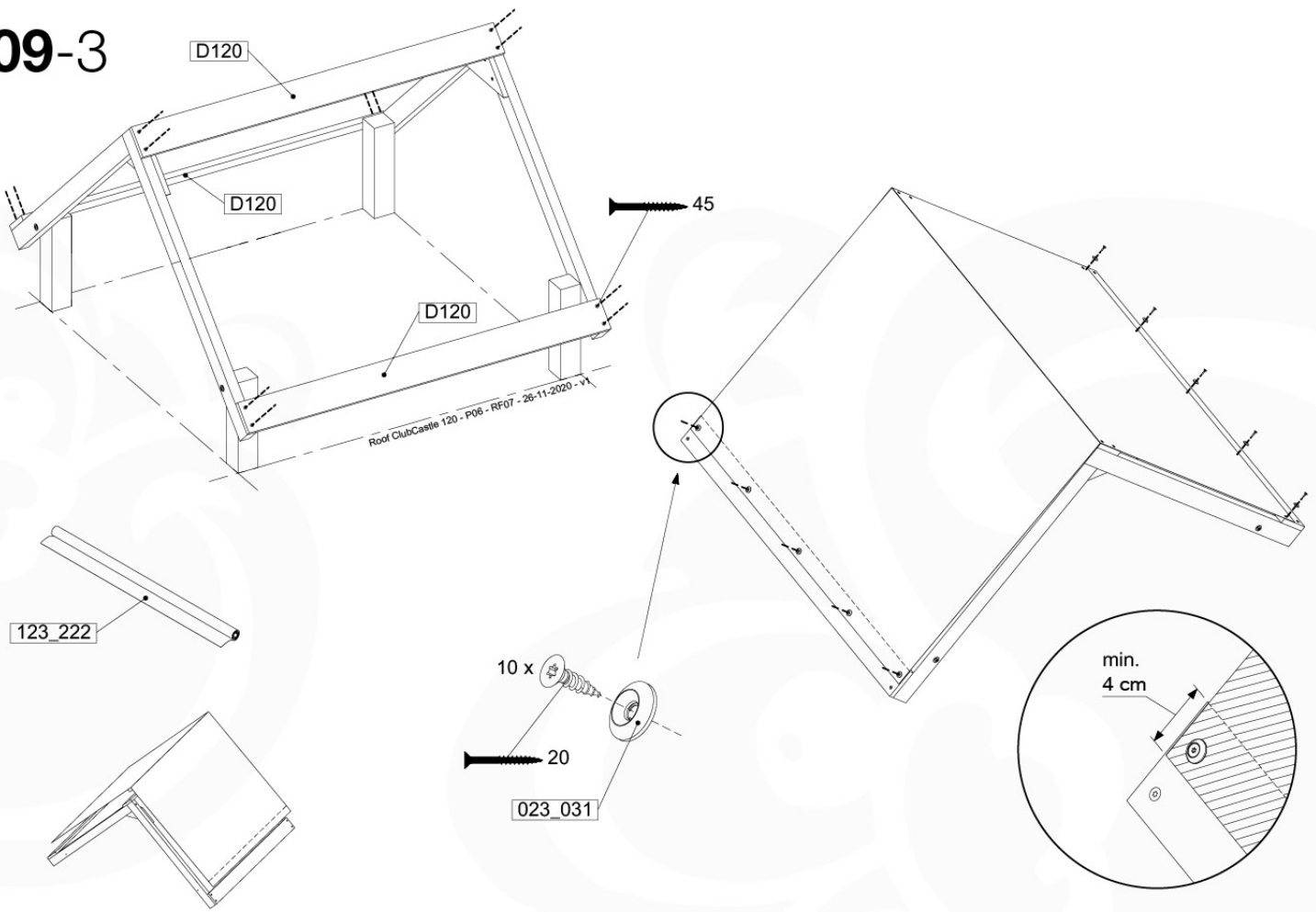
# 09-1



# 09-2



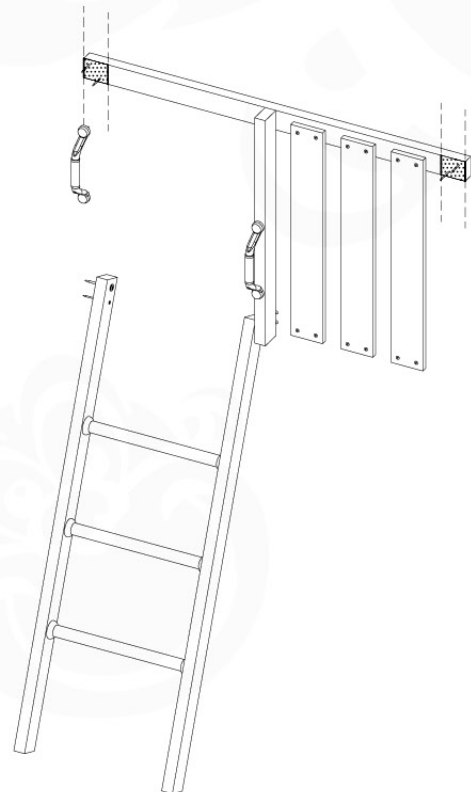
# 09-3



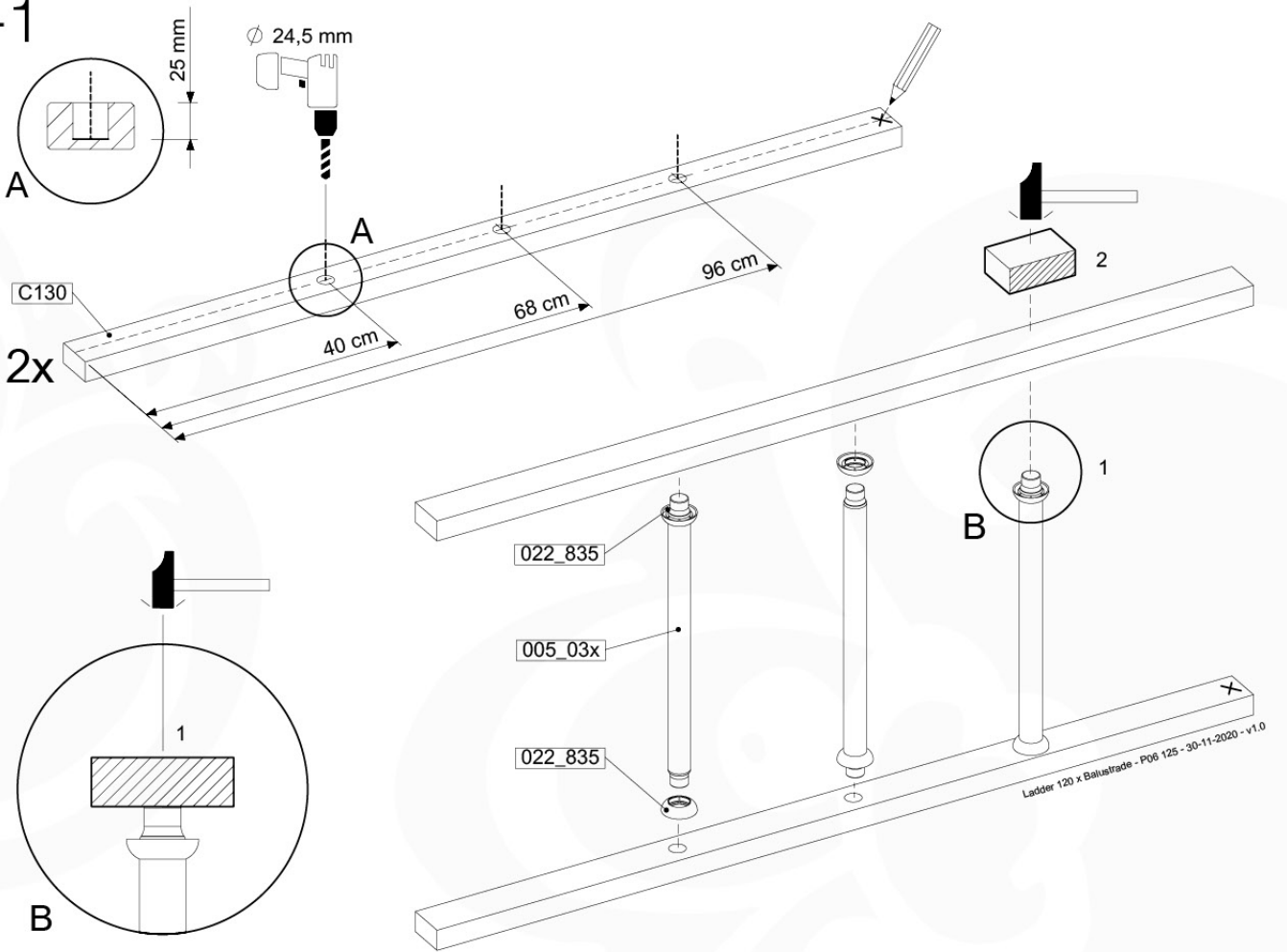
# 10 Ladder LA11

|               | PartNo  | PartName                   | QTY. |
|---------------|---------|----------------------------|------|
| Hardware Pack | 001_411 | Stealth Screw 8x60         | 2    |
|               | 001_417 | Stealth Screw 8x80         | 1    |
|               | 002_220 | Gap Point Screw T25 - 5x45 | 22   |
|               | 002_223 | Gap Point Screw T25 - 5x80 | 9    |
| Other         | 005_03x | Ladder Rung Y/B/G/R        | 3    |
|               | 022_835 | Rung Cap                   | 6    |
|               | 120_102 | Handgrip set (complete 2x) | 1    |
| Timber        | C70     | Beam 700 mm                | 1    |
|               | C114    | Beam 1140 mm               | 1    |
|               | C130    | Beam 1300 mm               | 2    |
|               | D65     | Board 650 mm               | 3    |

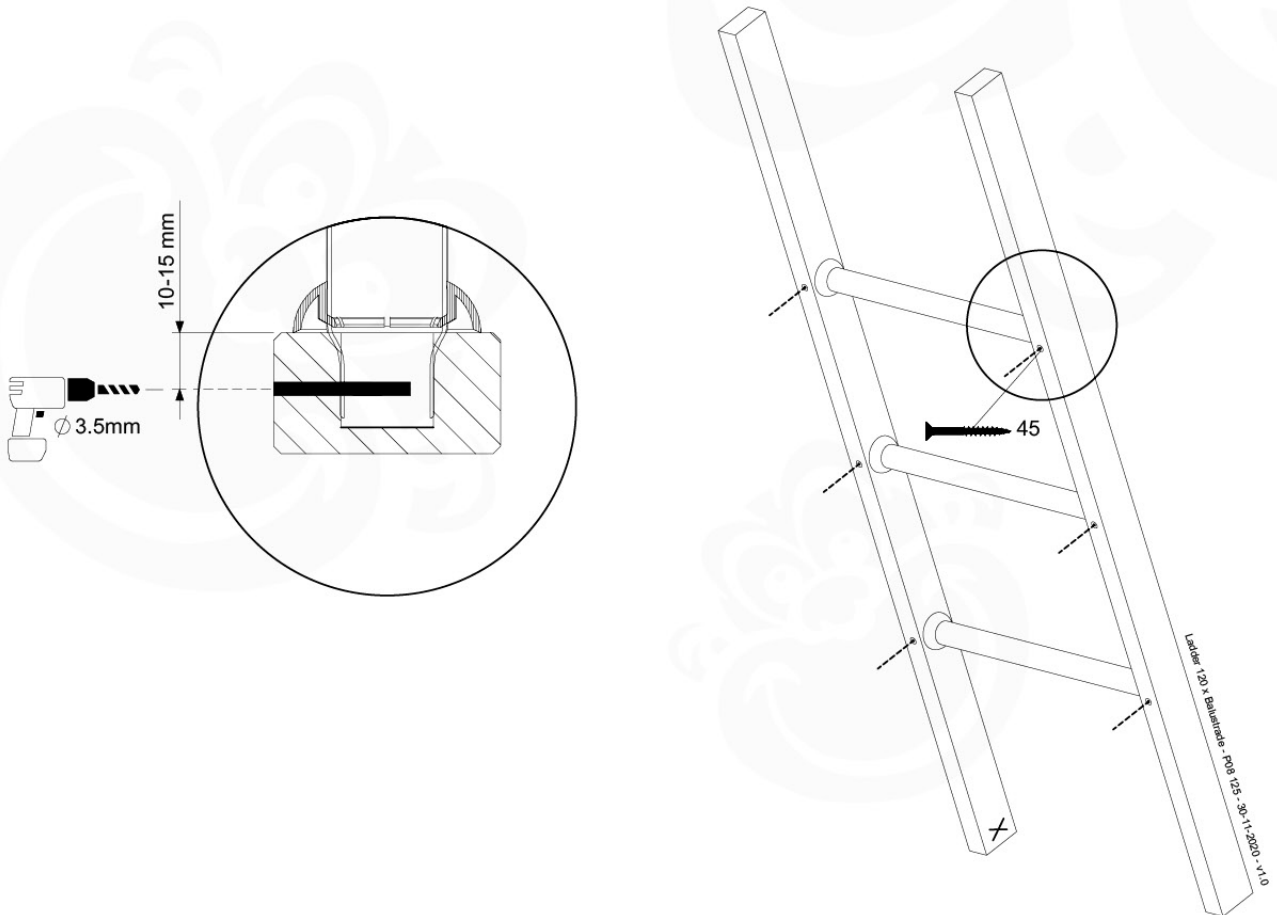
Ladder 120x Bakstrade - P02 UL - 30-11-2020 - v1.0



# 10-1

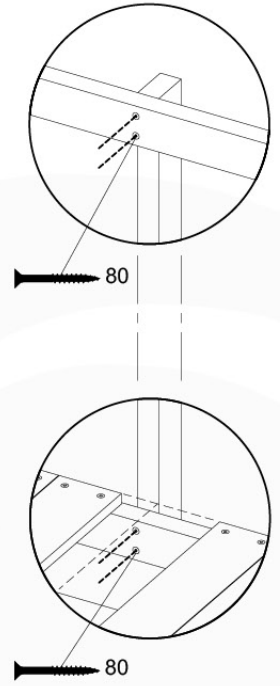
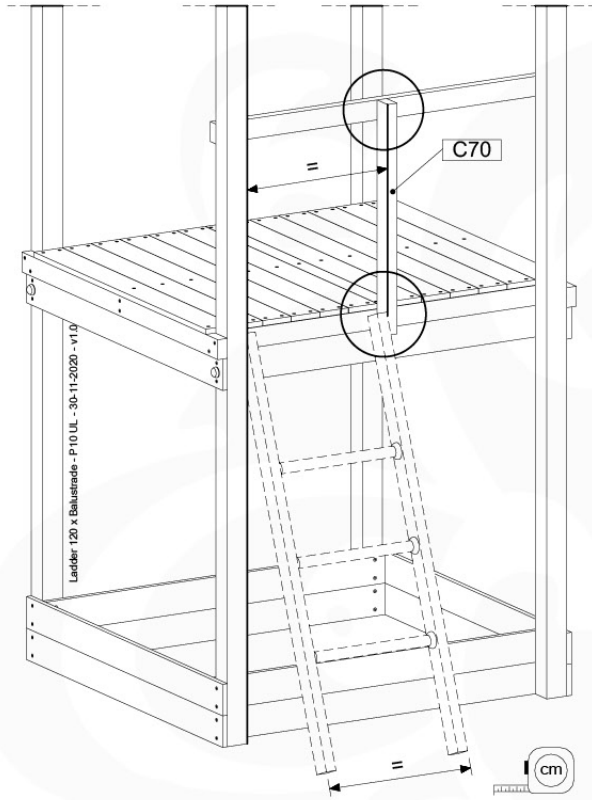
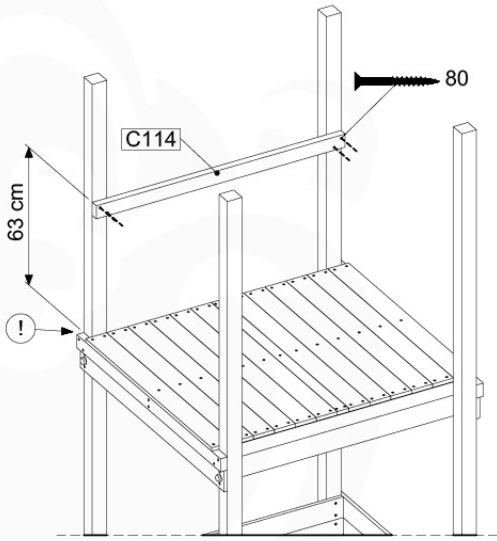


# 10-2

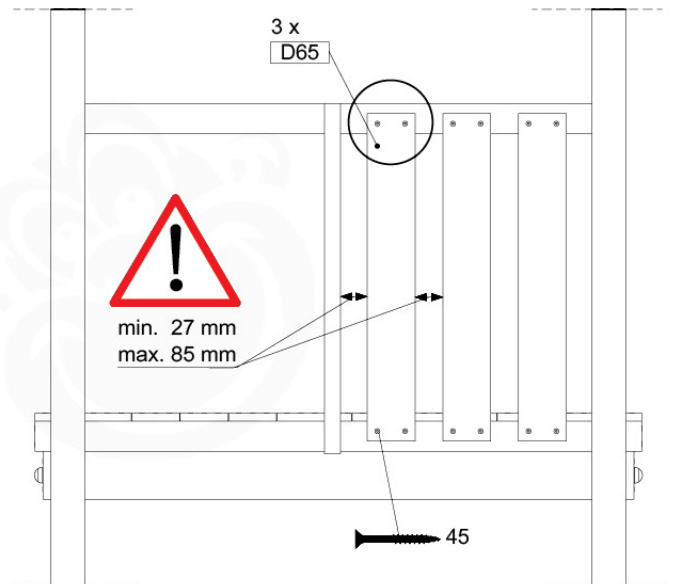
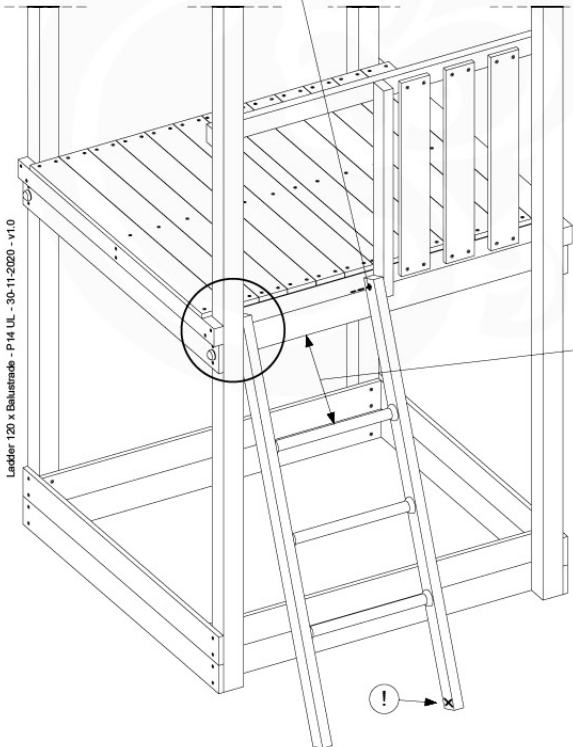
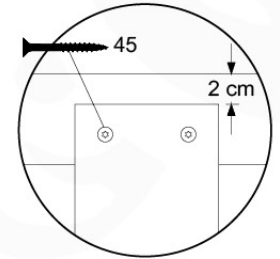
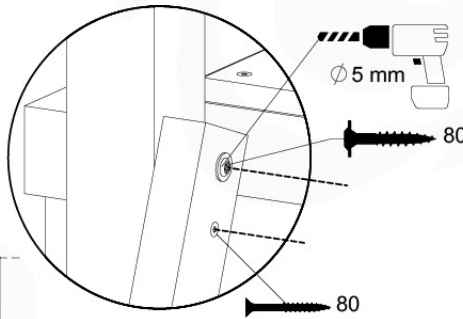




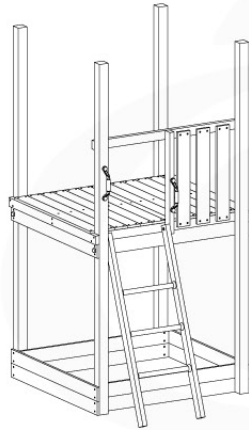
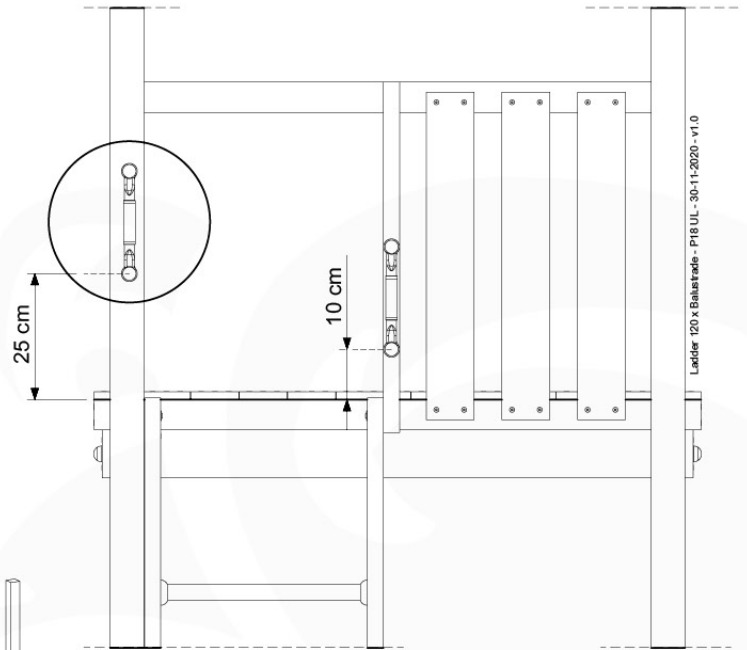
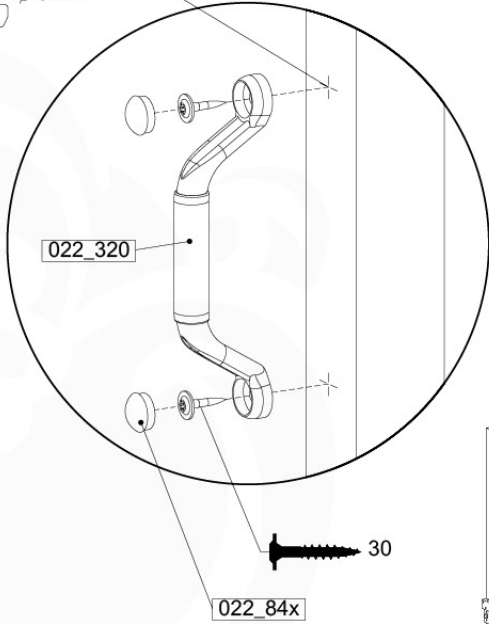
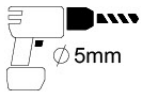
# 10-3



# 10-4



# 10-5



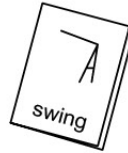
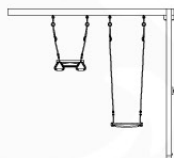
# 11 Swing Frame / Climb Frame



12



+

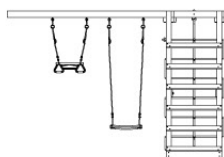


12

1-Swing frame / 2-Swing frame  
457\_101  
457\_102



+



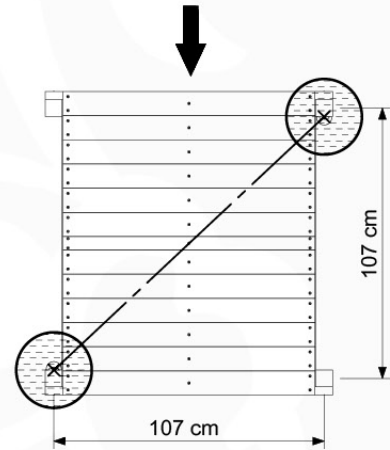
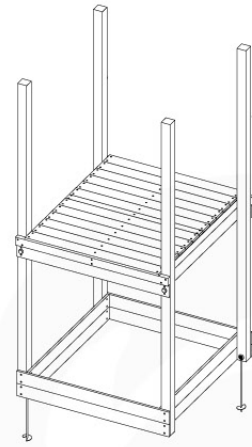
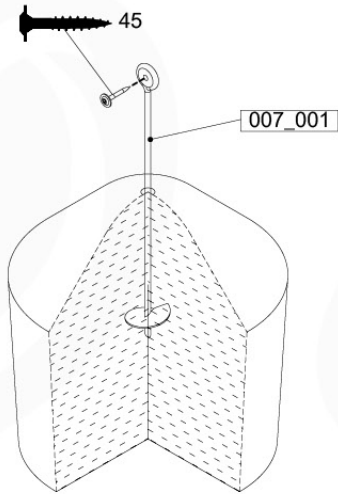
12

1-Climb frame / 2-Climb frame  
457\_105  
457\_106

# 12 Ground Anchors

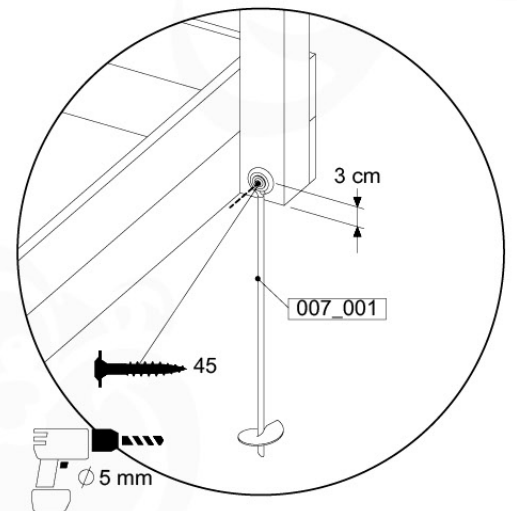
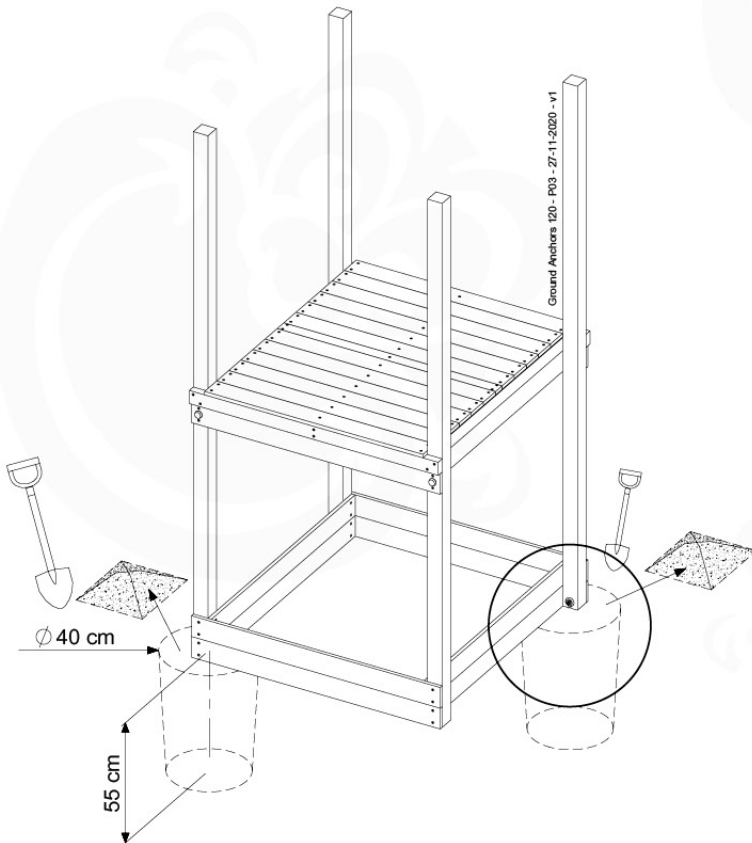
GA05

Parts:  
Hardware Package Tower →



Ground Anchors 120 - P02 - 27-11-2020 - v1

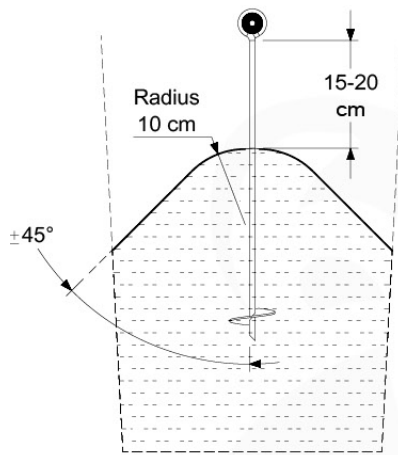
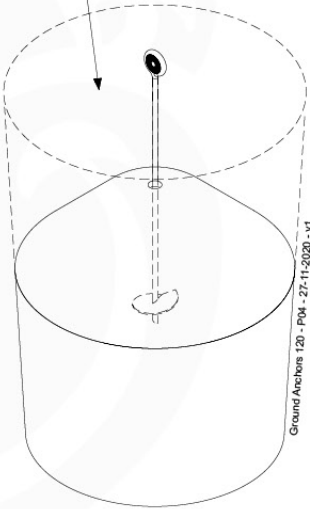
## 12-1



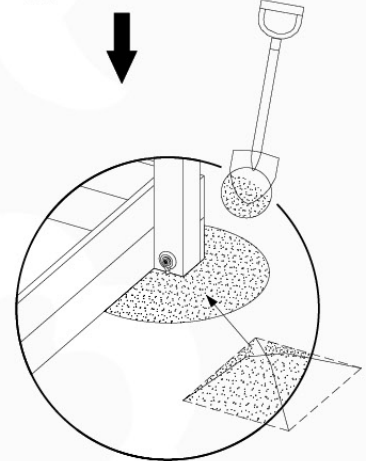
# 12-2



40 L / 80 kg



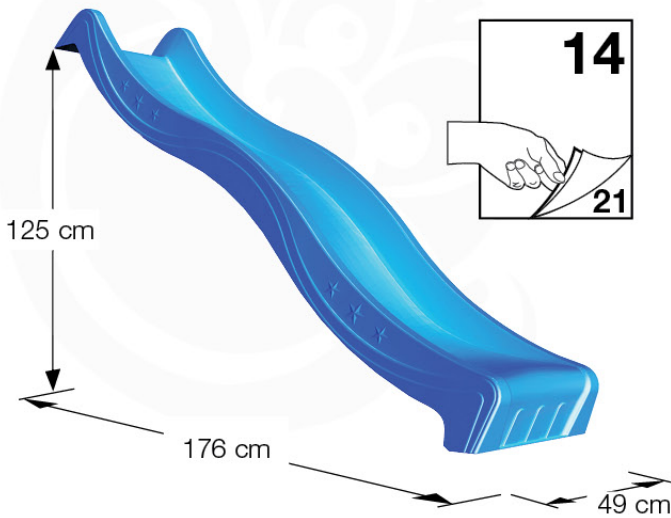
24h



## 13 Add-on

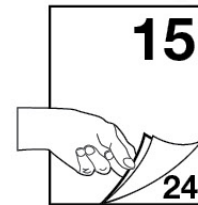
### Wavy Star Slide XL

- 324\_100 Yellow
- 324\_200 Blue
- 324\_300 Green
- 324\_400 Red
- 324\_500 Fuchsia
- 324\_600 Dark Green



### Fireman's Pole

201\_275

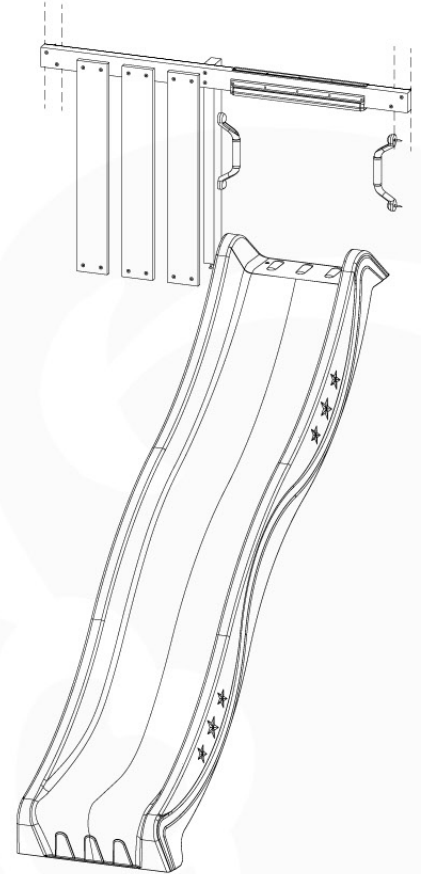


# 14 Slide Set

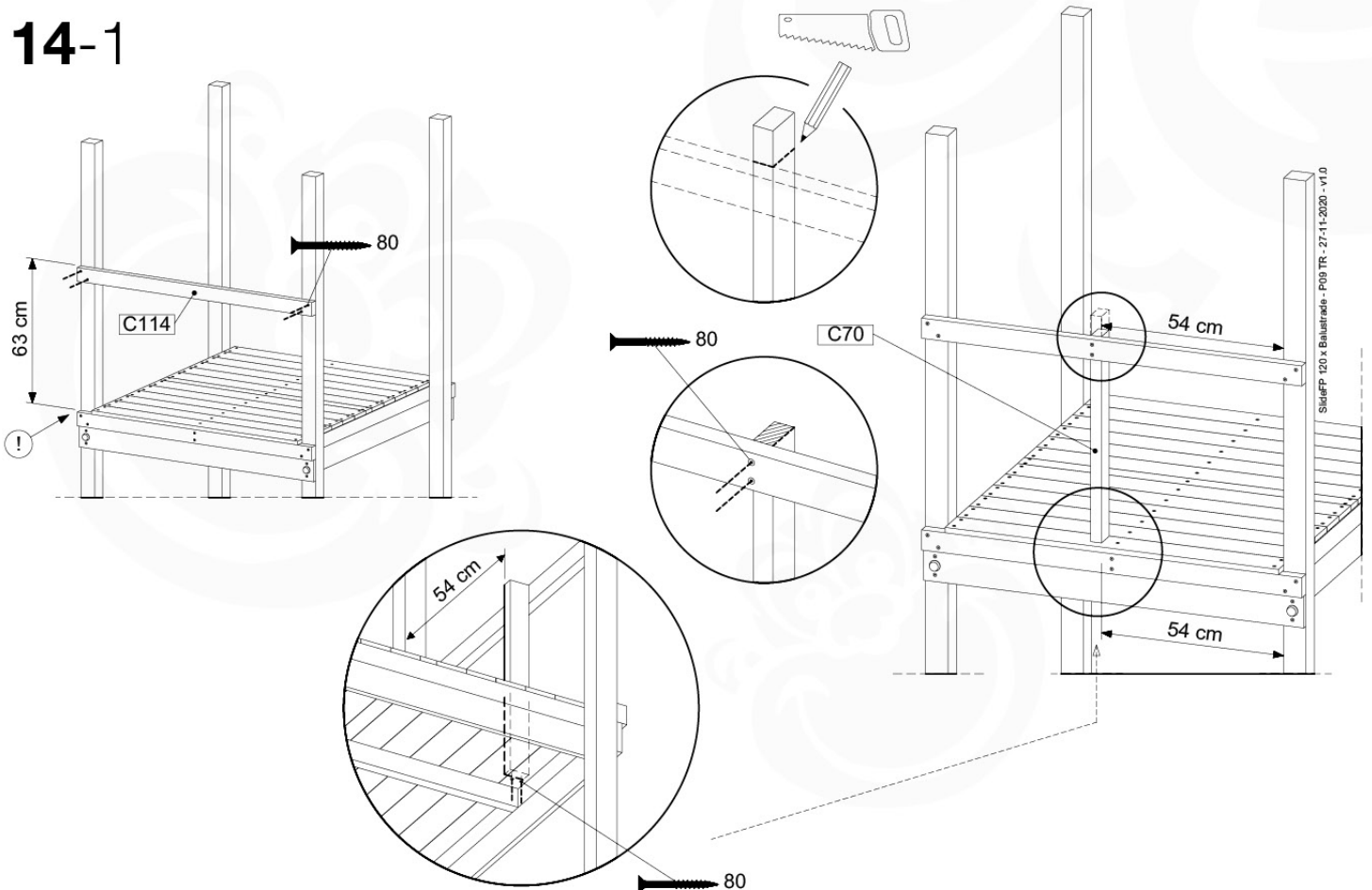
SL09

|               | PartNo             | PartName  | QTY. |
|---------------|--------------------|---|------|
| Hardware Pack | 000_101            | Nail Pan Head   | 10   |
|               | 002_220            | Gap Point Screw T25 - 5x45                                  | 16   |
|               | 002_223            | Gap Point Screw T25 - 5x80                                  | 8    |
|               | 002_308            | Gap Point Screw T25 - 5x20                                  | 2    |
| Other         | 120_102            | Handgrip set (complete 2x)                                  | 1    |
|               | 123_200            | Bumperpad   | 1    |
|               | 324_xxx<br>334_xxx | Wavy Star Slide XL 2200 mm /<br>Wavy Star Slide XXL 2650 mm | 1    |
| Timber        | C70                | Beam 700 mm   | 1    |
|               | C114               | Beam 1140 mm  | 1    |
|               | D65                | Board 650 mm  | 3    |

SlideFP 120 x Balustrade - P09 TR - 27-11-2020 - v1.0

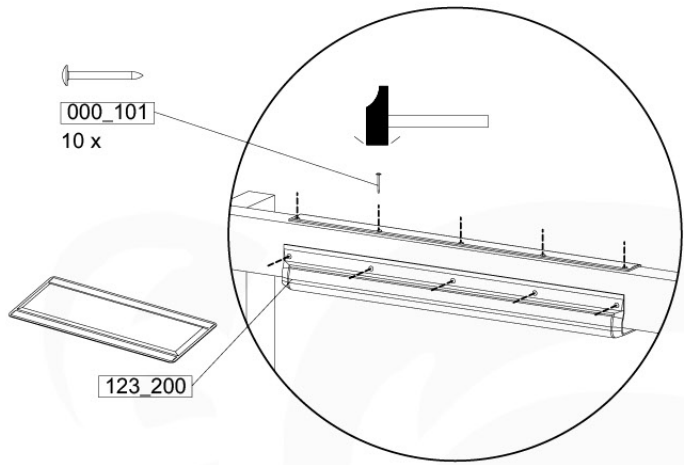
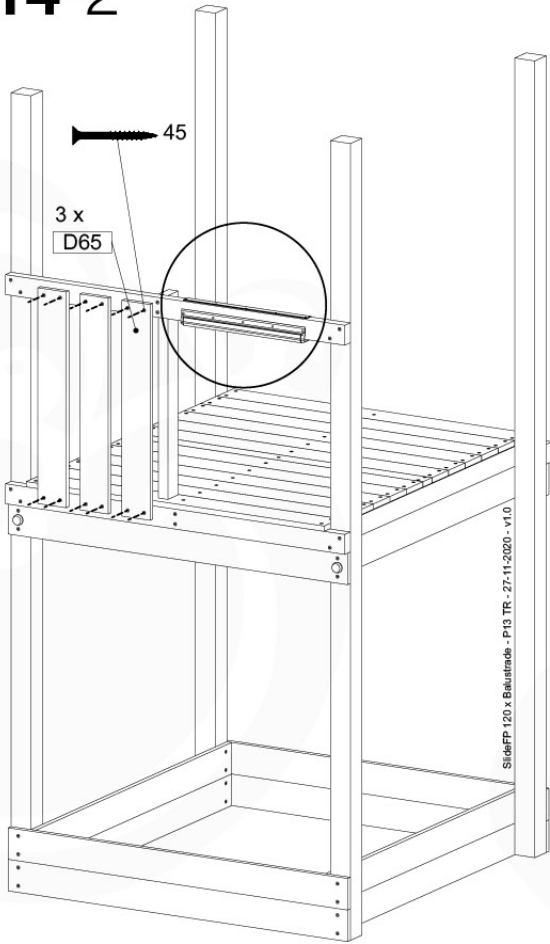


## 14-1

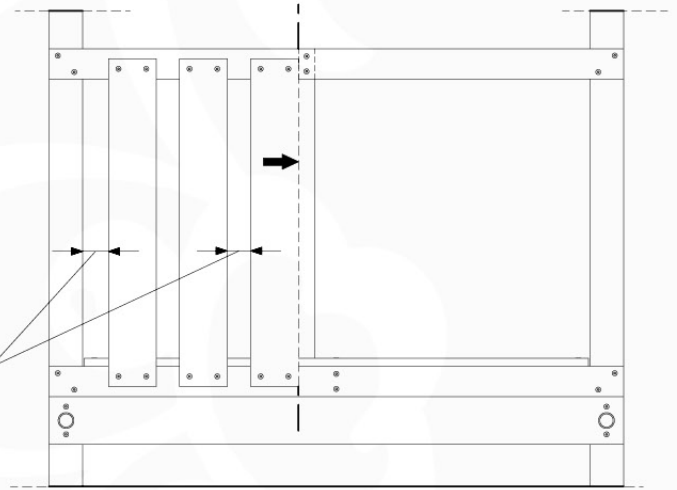


SlideFP 120 x Balustrade - P09 TR - 27-11-2020 - v1.0

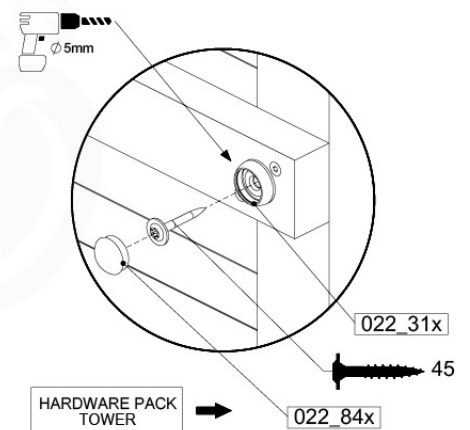
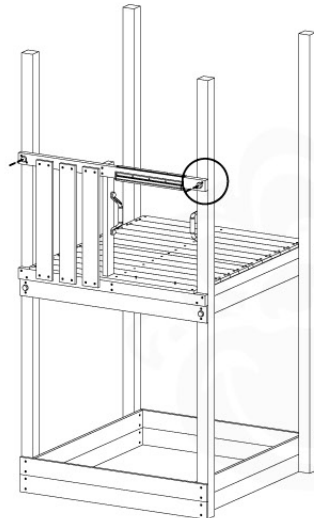
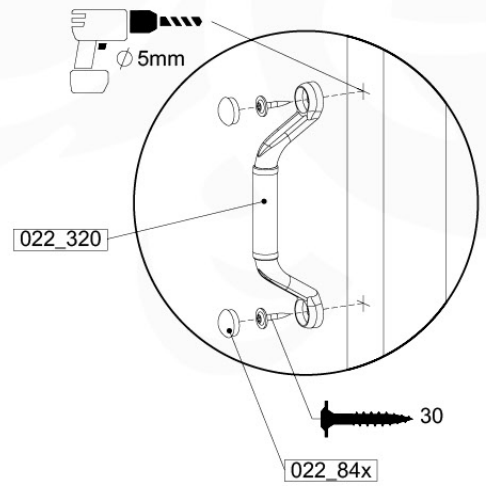
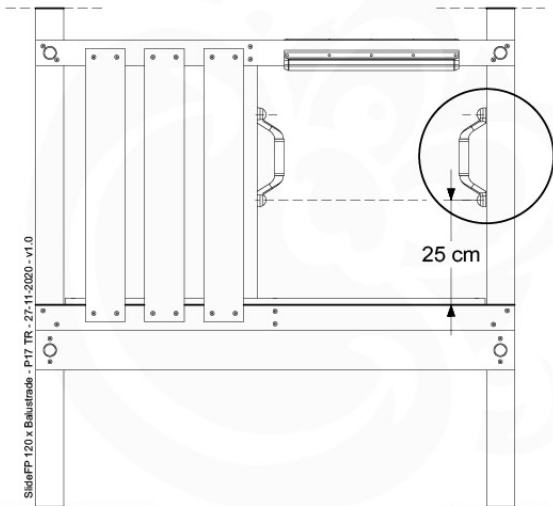
# 14-2



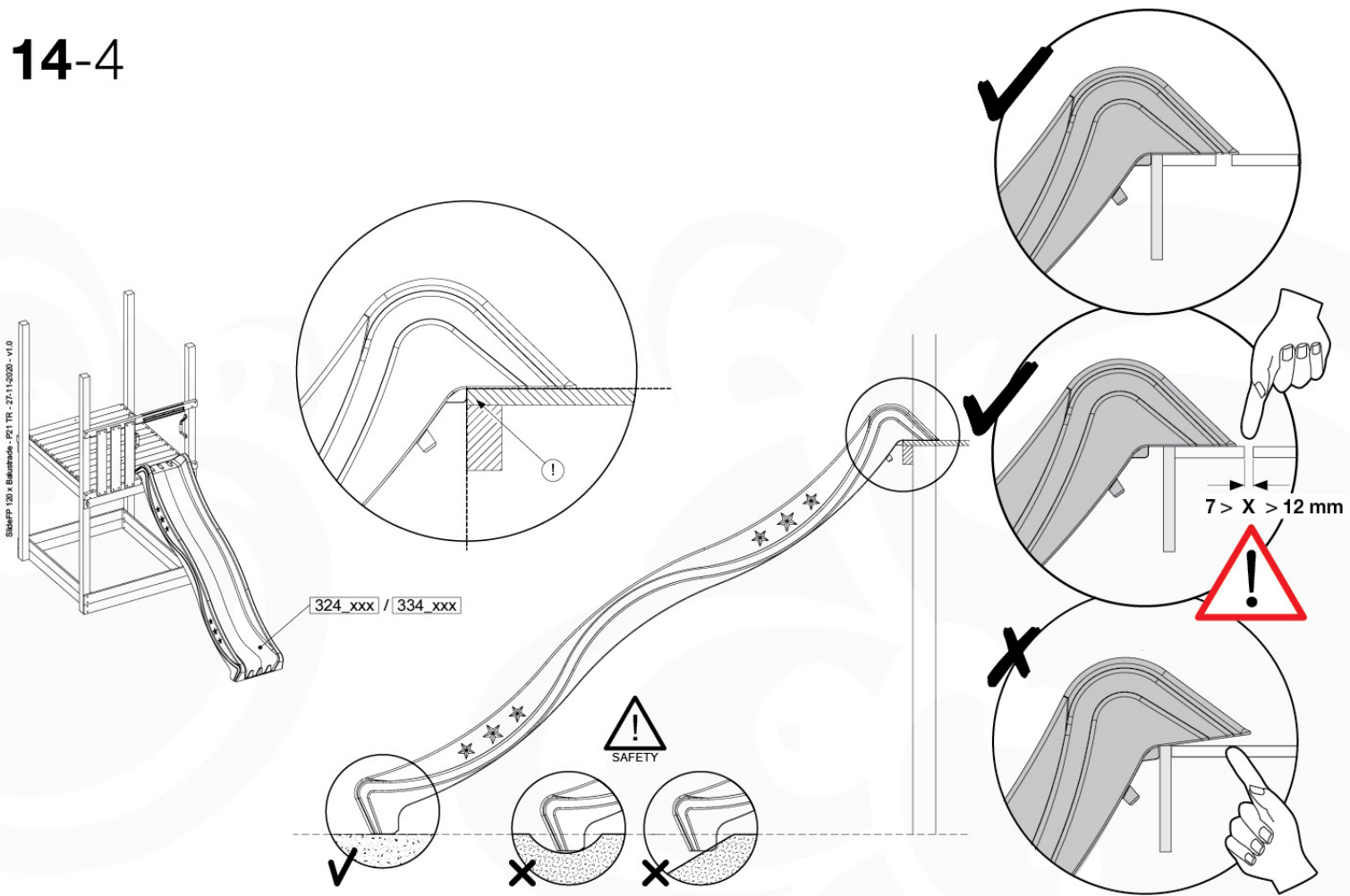
min. 26 mm  
max. 65 mm



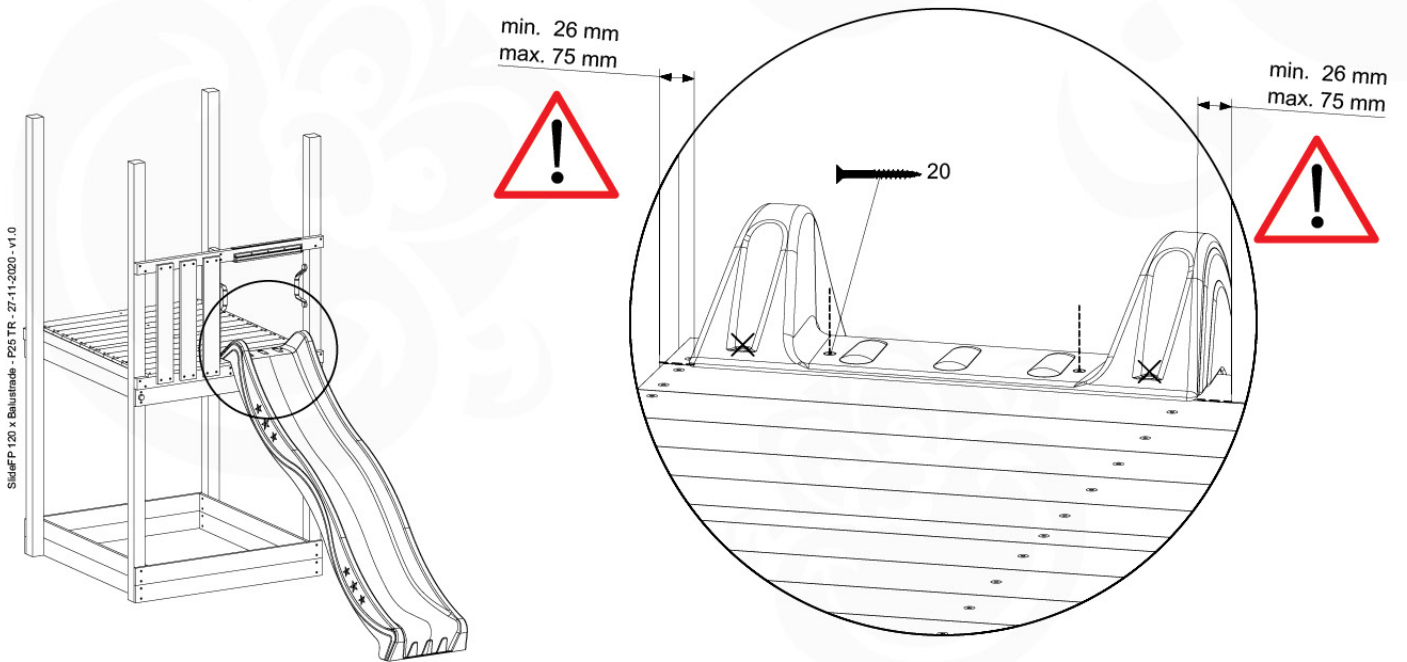
# 14-3



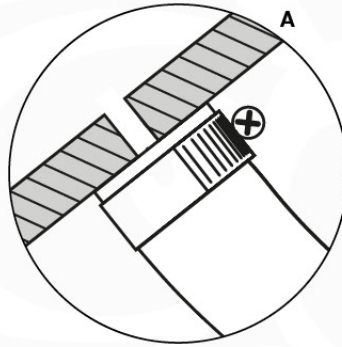
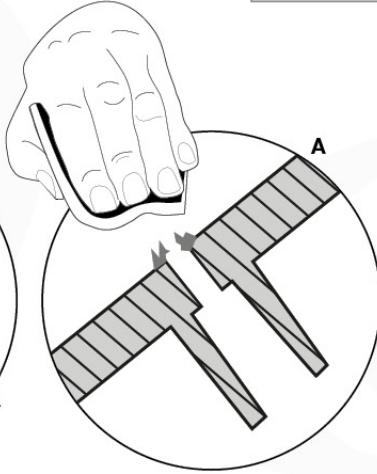
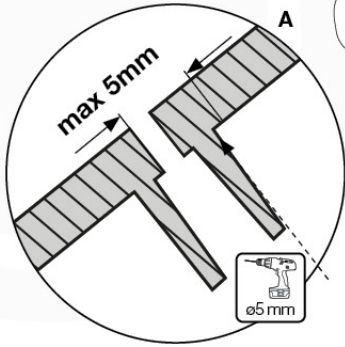
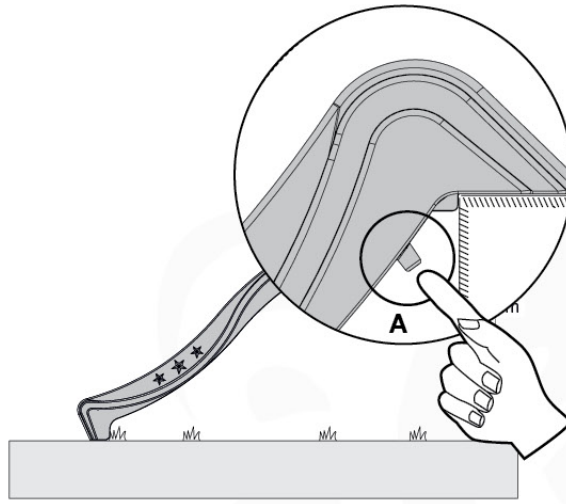
# 14-4



# 14-5

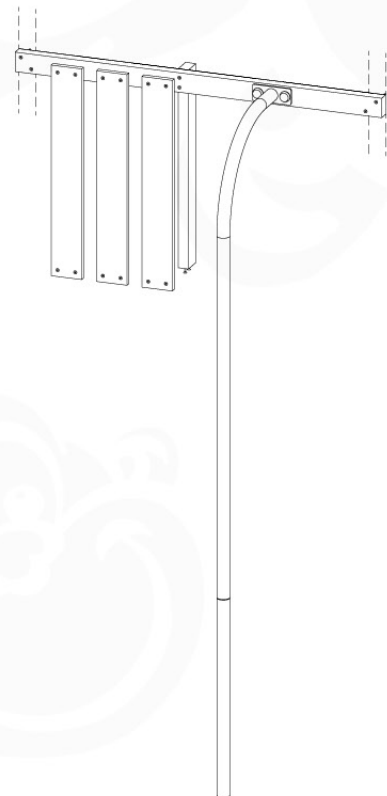


# 14-6



# 15 Firemans Pole

FP07

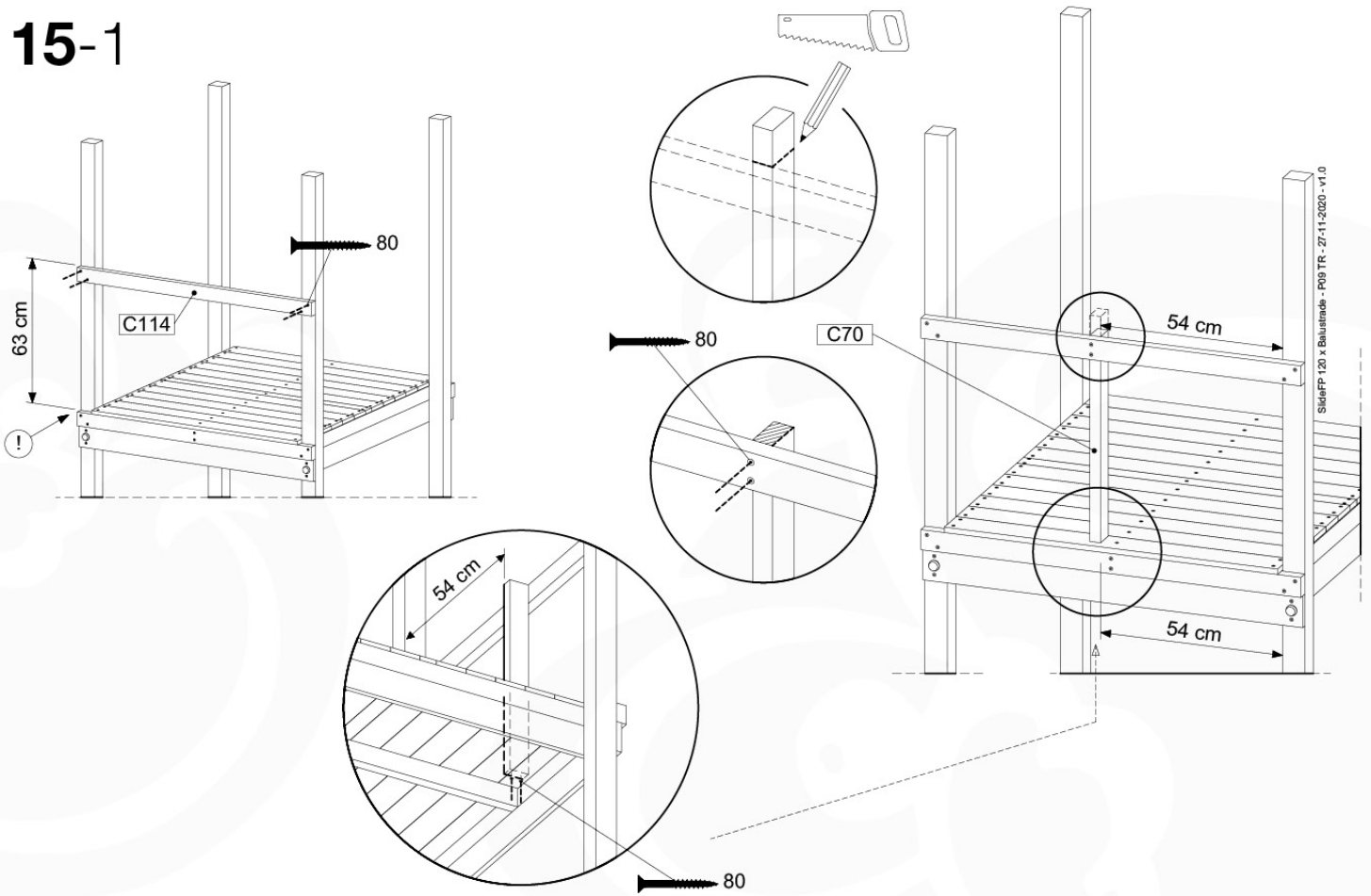


|                  | PartNo  | PartName                   | QTY. |
|------------------|---------|----------------------------|------|
| Hardware Pack(s) | 001_103 | M8 Washer Head Screw 40mm  | 2    |
|                  | 002_220 | Gap Point Screw T25 - 5x45 | 16   |
|                  | 002_223 | Gap Point Screw T25 - 5x80 | 8    |
|                  | 003_010 | M8 spring lock washer      | 2    |
|                  | 003_040 | M8 Washer                  | 2    |
|                  | 004_052 | M8 Drive-in Nut 30mm       | 2    |
|                  | 004_054 | M8 Drive-in Nut 45mm       | 2    |
|                  | 022_31x | bpc-base version 3         | 2    |
|                  | 022_84x | bpc cover                  | 2    |
| Other            | 102_915 | Fireman's Pole             | 1    |
| Timber           | C70     | Beam 700 mm                | 1    |
|                  | C114    | Beam 1140 mm               | 1    |
|                  | D65     | Board 650 mm               | 3    |

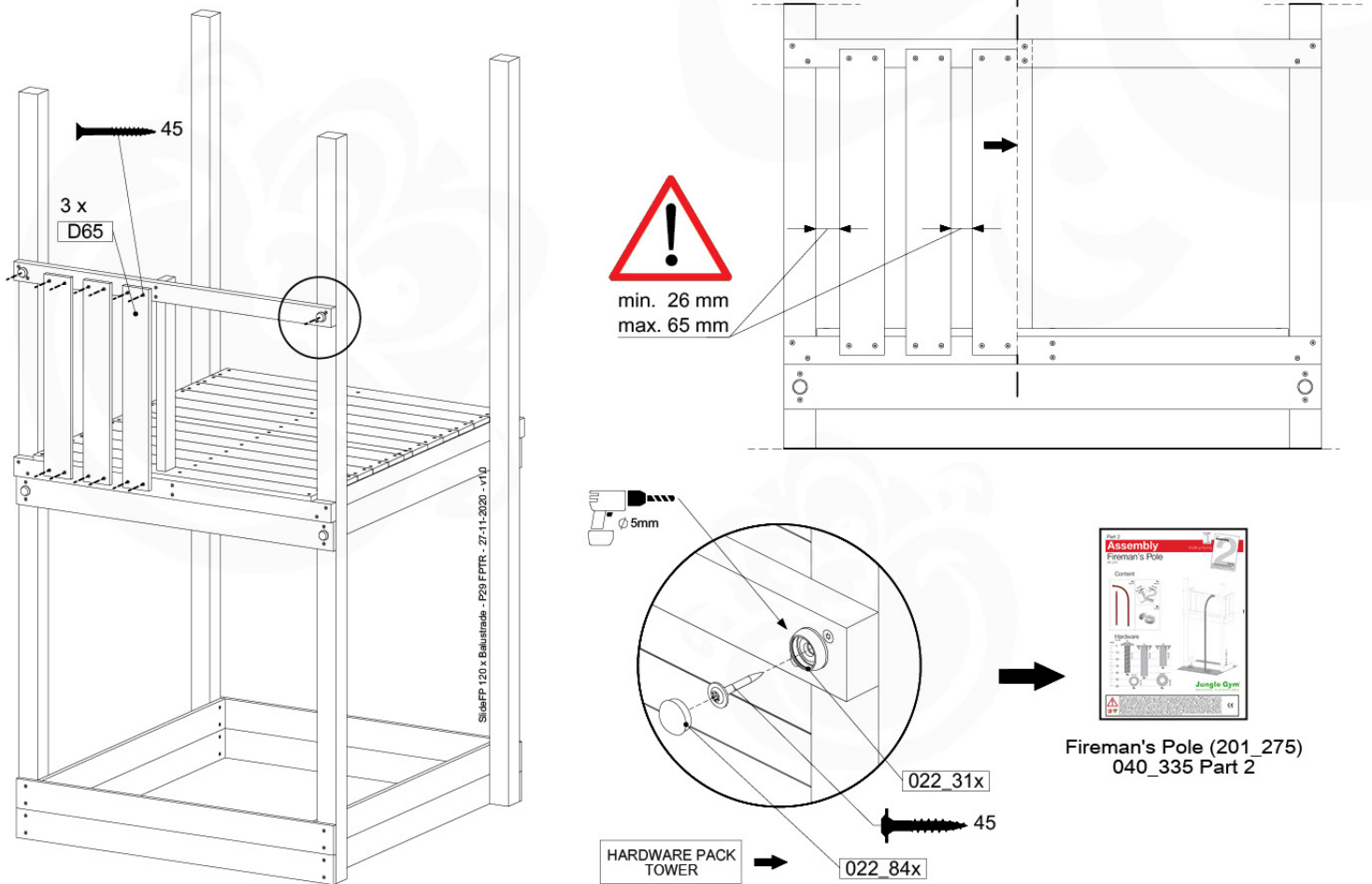
SlideFP 120 x Ballastende - P33 FFTR - 27-11-2020 - v1.0



# 15-1



# 15-2



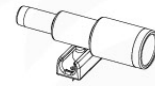
# 16 Accessories

AC01

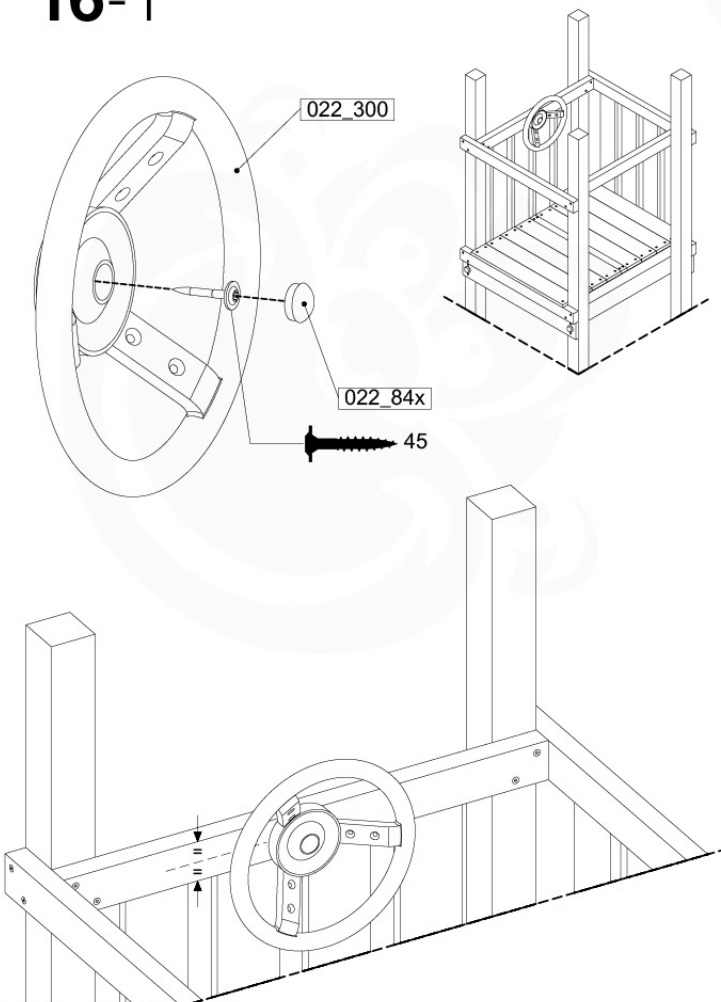
( 194\_119 )

|                          | PartNo  | PartName                    | QTY. |
|--------------------------|---------|-----------------------------|------|
| Hardware Pack<br>100_617 | 001_406 | Stealth Screw 8x45          | 1    |
|                          | 002_041 | Dome head screw 4.5 x 20 mm | 3    |
|                          | 002_042 | Dome head screw 3.5 x 13mm  | 4    |
|                          | 002_219 | Gap Point Screw T25 - 5x30  | 2    |
|                          | 022_84x | bpc cover                   | 1    |
| Other                    | 022_300 | Steering Wheel              | 1    |
|                          | 022_800 | Rail P/T 105                | 1    |
|                          | 022_910 | Sandpad                     | 1    |
|                          | 103_901 | Logo ID Plate               | 1    |
|                          | 104_107 | Tool Set Climbing Units     | 1    |
|                          | 120_024 | Tower Flag                  | 1    |
|                          | 122_302 | Telescope                   | 1    |

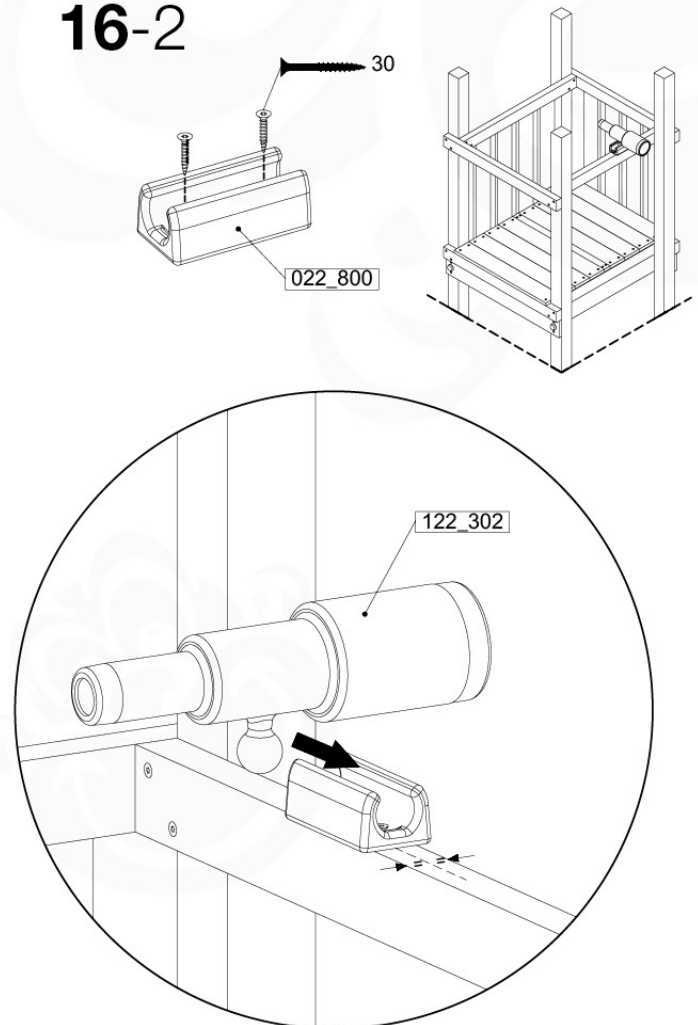
Accessory ref. - P02 - 18-11-2020 - v3



## 16-1

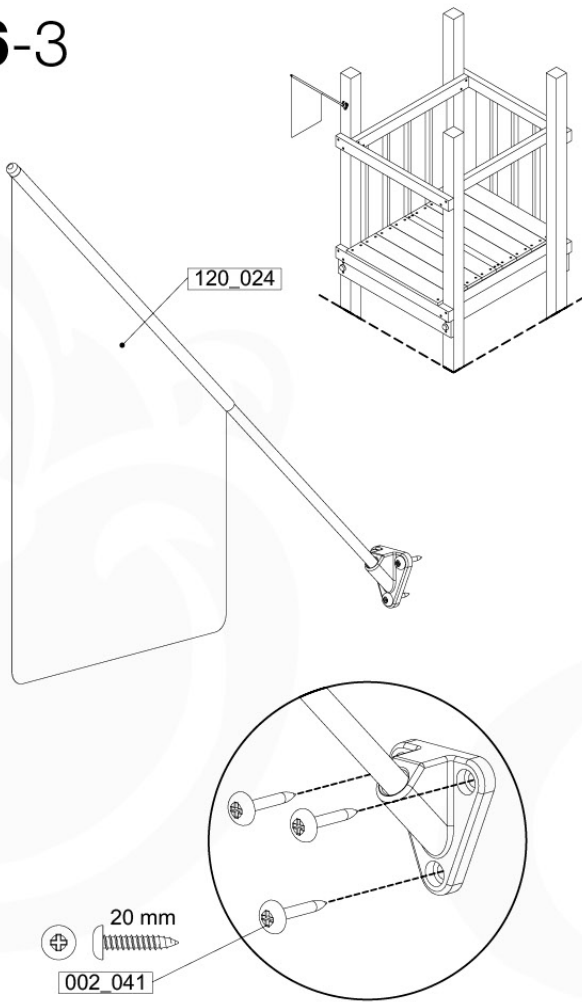


## 16-2

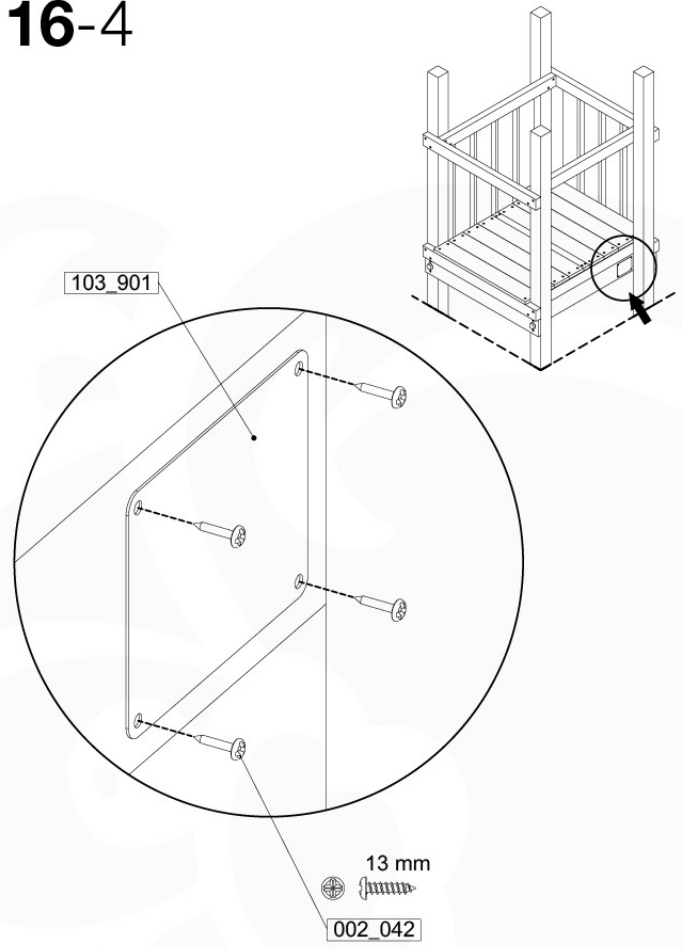


Accessory ref. - P03 - 18-11-2020 - v3

# 16-3



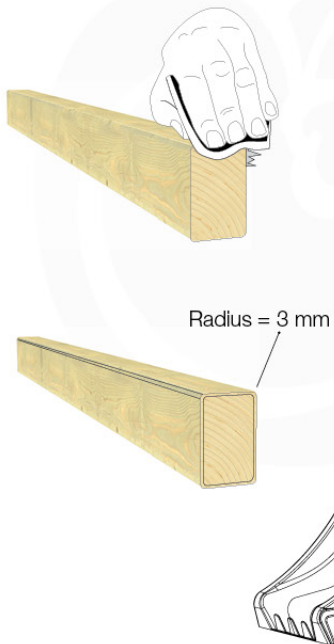
# 16-4



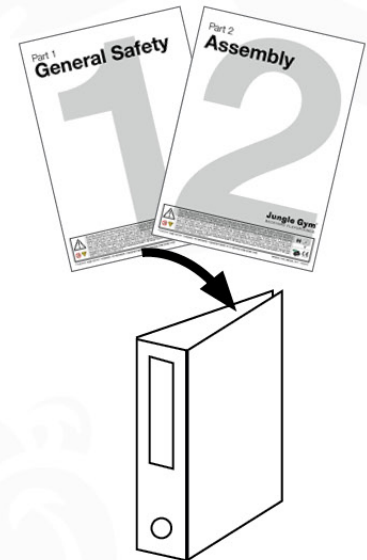
Accessory set - P04 - 16-11-2020 - v3

# 16-5

1x  
022\_910

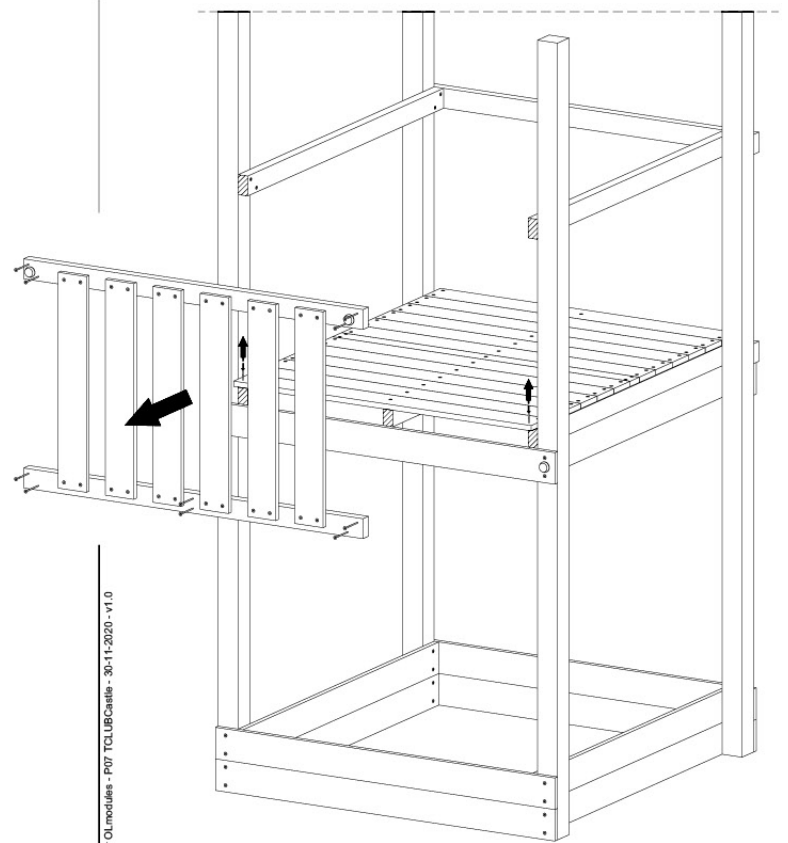
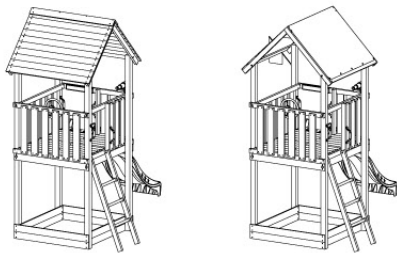


# 17

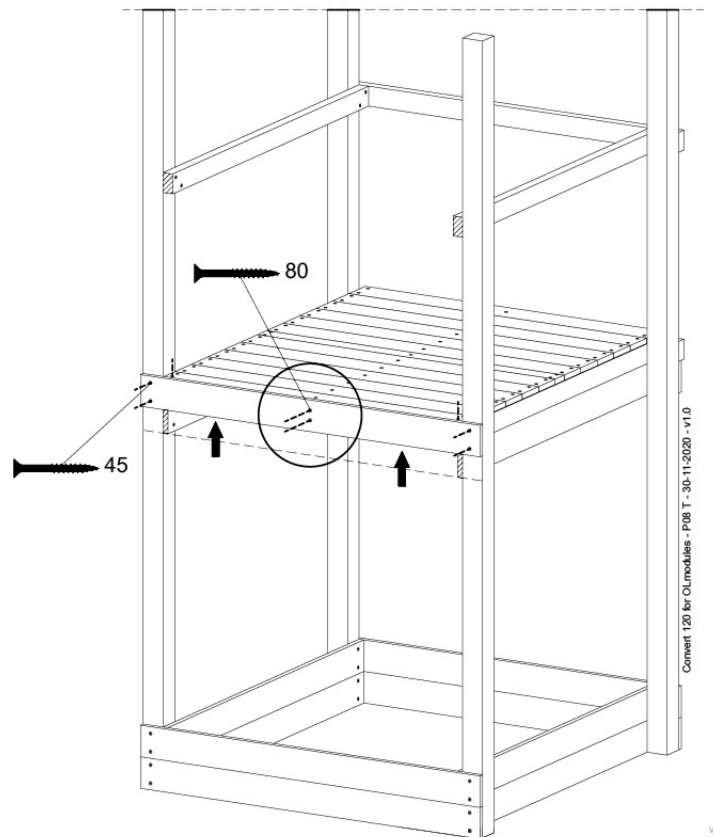
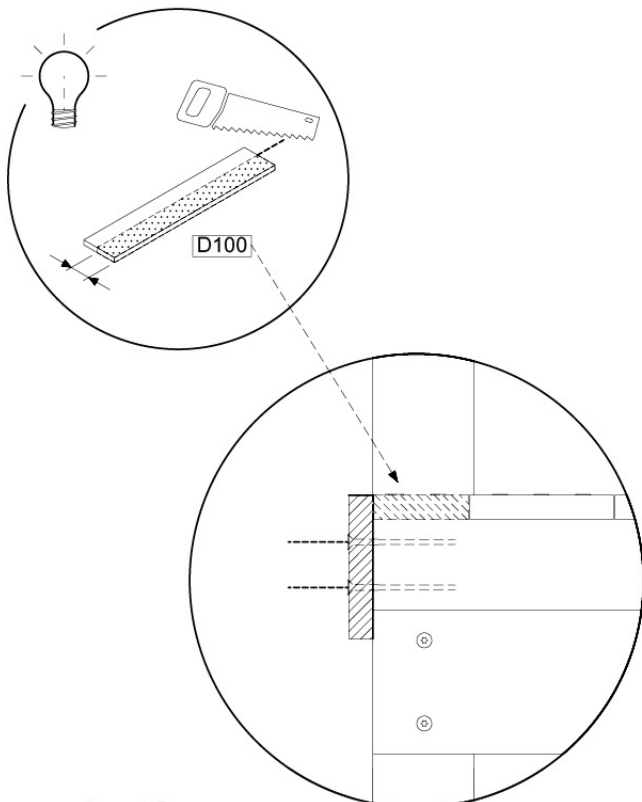


# 18 Tower preparation for Modules/ links

- 450\_240 / 850\_240 Bridge Module
- 450\_255 / 850\_255 Balcony Module
- 450\_410 / 850\_410 Boat Module
- 450\_415 / 850\_415 Train Module
- 470\_100 / 870\_100 Bridge Link
- 470\_105 / 870\_105 Net Link



## 18-1



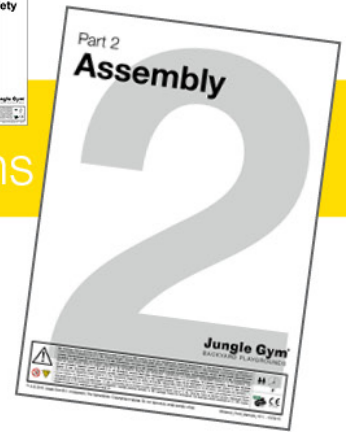
# Part 2

# Assembly

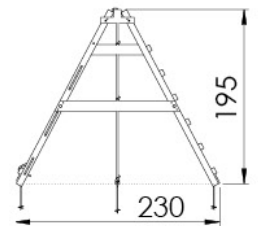
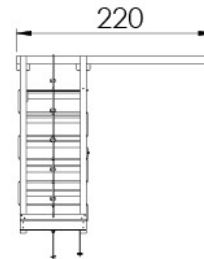
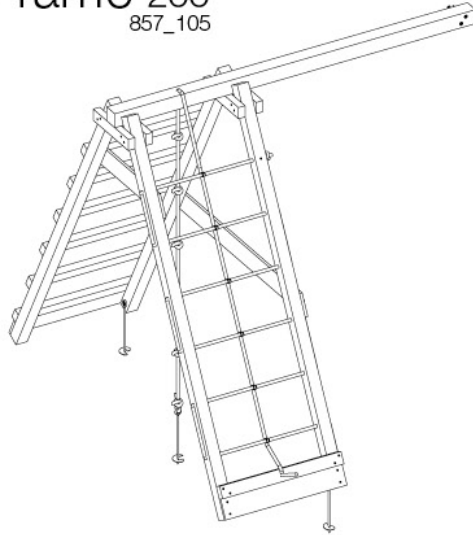
## Climb Frames



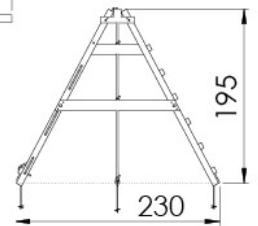
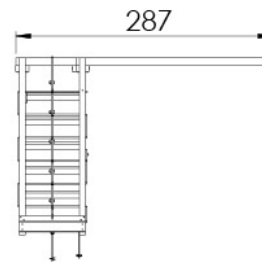
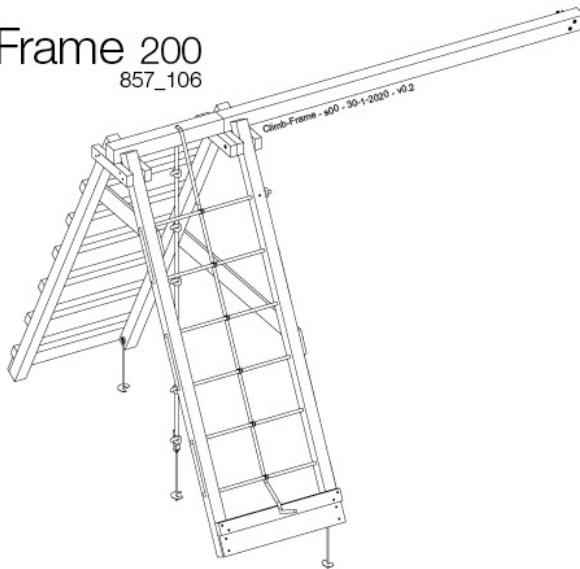
Instructions



### 1-Position Frame 200 857\_105



### 2-Position Frame 200 857\_106



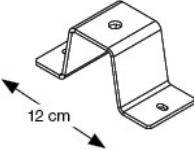
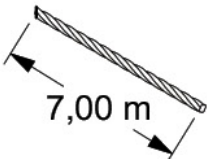

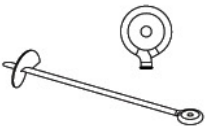
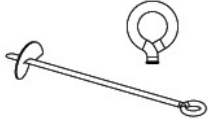




**Jungle Gym**<sup>®</sup>  
BACKYARD PLAYGROUNDS

|   | 857_105 | 857_106 |  | 857_105 | 857_106 |
|---|---------|---------|--|---------|---------|
| EN. Warnings. Only for domestic use. Maximum number of users is:                                    | 3       | 4       | LT. Įspėjimai. Tik buitiniam naudojimui. Maksimalus naudotojų skaičius :           | 3       | 4       |
| DE. Achtung. Nur für den Hausgebrauch. Maximale Benutzerzahl:                                       | 3       | 4       | HR. Upozorenja. Samo za kućansku uporabu. Maksimalan broj korisnika je :           | 3       | 4       |
| FR. Attention. Réserve à un usage privé. Le nombre maximal d'utilisateurs est de:                   | 3       | 4       | HU. Figyelmeztetések. Csak otthoni használatra! A használok max. száma: :          | 3       | 4       |
| NL. Waarschuwingen. Uitsluitend voor huishoudelijk gebruik. Het maximale aantal gebruikers is:      | 3       | 4       | NO. Advarsler. Kun for privat bruk. Maksimalt antall brukere er :                  | 3       | 4       |
| BG. Внимание. За употреба само в домашни условия. Максималният брой потребители е:                  | 3       | 4       | PL. Ostrzeżenia. Wyłącznie do użytku domowego. Maksymalna liczba użytkowników to : | 3       | 4       |
| ES. Advertencias. Sólo para uso doméstico. Número máximo de usuarios:                               | 3       | 4       | PT. Avisos. Apenas para uso doméstico. O número máximo de utilizadores é :         | 3       | 4       |
| CS. Varování. Jen pro domácí použití. Maximální počet uživatelů je :                                | 3       | 4       | RO. Avertismente. Numai pentru uz domestic. Numărul maxim de utilizatori este :    | 3       | 4       |
| DA. Advarsler. Kun til privat brug. Maksimum antal brugere er :                                     | 3       | 4       | RU. Предостережения. Только для домашнего использования.                           | 3       | 4       |
| ET. Hoiatused. Ainult koduseks kasutamiseks. Maksimalne kasutajate arv on :                         | 3       | 4       | Максимальное количество пользователей - :  | 3       | 4       |
| EL. Προειδοποιήσεις. Μόνο για οικιακή χρήση. Μέγιστος αριθμός χρηστών :                             | 3       | 4       | SK. Upozornenia. Iba na domáce použitie. Maximálne množstvo osôb je :              | 3       | 4       |
| IS. Varnaðarorð. Engöngu fyrir einkanotkun í heimahúsum og á einkalóðum. Hámarksfjöldi notenda er : | 3       | 4       | SL. Opozorila. Samo za domačo uporabo. Maksimalno število uporabnikov je :         | 3       | 4       |
| IT. Avvertenze. Solo per uso domestico. Massimo numero di utenti è :                                | 3       | 4       | FI. Varoitukset. Ainoastaan kotikäyttöön. Käyttäjää yhteensä enintään :            | 3       | 4       |
| LV. Brīdinājumi. Izmantot tikai mājās. Maksimālais lietotāju skaits ir :                            | 3       | 4       | SR. Upozorenja. Samo za kućnu upotrebu. Maksimalan broj korisnika je :             | 3       | 4       |
|   |         |         | SV. Varningar. Endast för hemmabruk. Det maximala antalet användare är :           | 3       | 4       |
|   |         |         | TR. Uyarılar. Sadece ev kullanımı için. Maksimum kullanıcı sayısı :                |         |         |


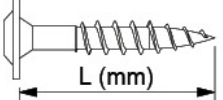


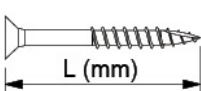


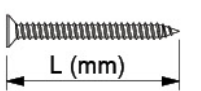
# Specifications

457\_105

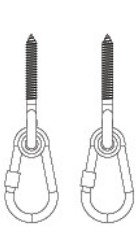

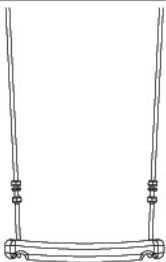
|   |  |  |  |  |
|---|--|--|--|--|
| <p><b>1x</b><br/>040_805</p> <p><b>1x</b><br/>040_172</p>  | <p><b>6x</b><br/>022_465</p>  | <p><b>2x</b><br/>006_528</p>  | <p><b>2x</b><br/>020_316</p>   | <p><b>1x</b><br/>100_161</p>  |
| <p><b>2x</b><br/>007_000</p>                               | <p><b>1x</b><br/>007_005</p>  | <p><b>1x</b><br/>008_010</p>  | <p><b>1x</b><br/>104_403</p>  |  |

# Hardware

100\_161

| L   |  |  |                                | L   |   |                |  |                   |  |
|---|--|--|--------------------------------|---|---|----------------|--|-------------------|--|
|  | <p>ø 8.0mm</p>  | <p>001_406<br/>001_417<br/>001_422</p> | <p>45mm<br/>80mm<br/>137mm</p> | <p><b>4 x</b><br/><b>4 x</b><br/><b>6 x</b></p> |  | <p>023_031</p> |  | <p><b>4 x</b></p> |  |
|  | <p>ø 5.0mm</p>  | <p>002_220<br/>002_223</p>             | <p>45mm<br/>80mm</p>           | <p><b>39 x</b><br/><b>43 x</b></p>              |   | <p>120_005</p> |  | <p><b>2 x</b></p> |  |
|  | <p>ø 3.9mm</p>  | <p>002_301</p>                         | <p>40mm</p>                    | <p><b>6 x</b></p>                               |   |                |  |                   |  |

# Optional

|  |  |  |
|--|--|--|
| <p><b>2x</b><br/>201_115</p>  | <p><b>1x</b><br/>250_013</p>  | <p><b>1x</b><br/>250_034</p>  |
|--|--|--|

# Timber

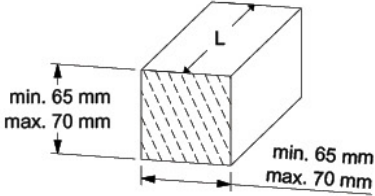
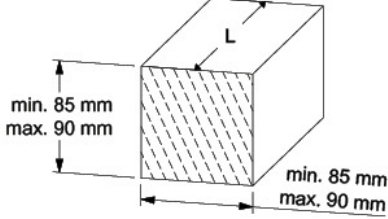
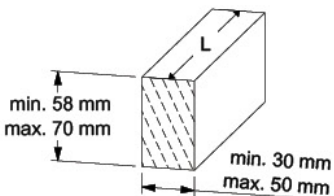
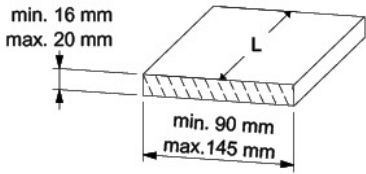
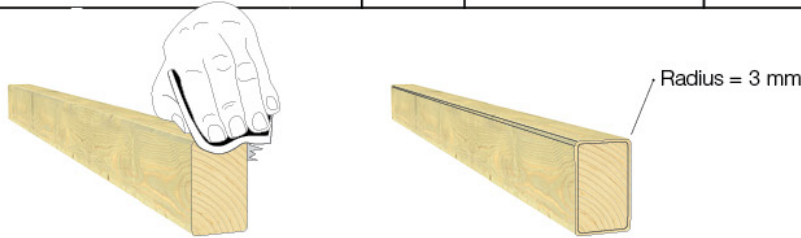
1-Position  
200

2-Position  
200

L

657\_105

657\_106

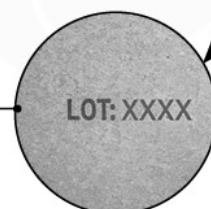
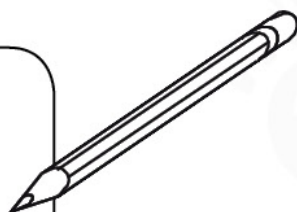
|  |                     |                                      |                    |                    |
|--|---------------------|--------------------------------------|--------------------|--------------------|
| <p><b>A</b></p>   | <p>A220</p>         | <p>219cm - 220cm</p>                 | <p>4 x</p>         | <p>4 x</p>         |
| <p><b>B</b></p>   | <p>B220<br/>B67</p> | <p>219cm - 220cm<br/>66cm - 67cm</p> | <p>1 x<br/>1 x</p> | <p>1 x<br/>1 x</p> |
| <p><b>C</b></p>   | <p>C74<br/>C37</p>  | <p>73cm - 74cm<br/>36cm - 37cm</p>   | <p>7 x<br/>4 x</p> | <p>7 x<br/>5 x</p> |
| <p><b>D</b></p>  | <p>D141<br/>D74</p> | <p>140cm - 141cm<br/>73cm - 74cm</p> | <p>1 x<br/>4 x</p> | <p>1 x<br/>4 x</p> |
|                |                     |                                      |                    |                    |

## Product Identification

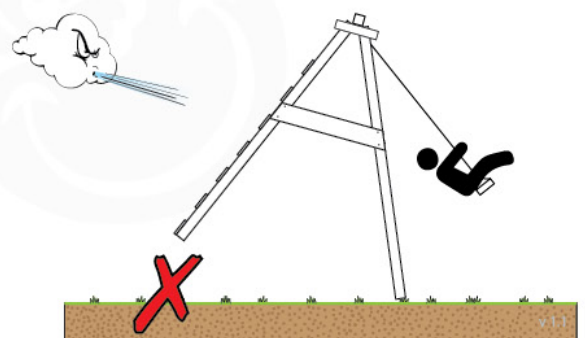
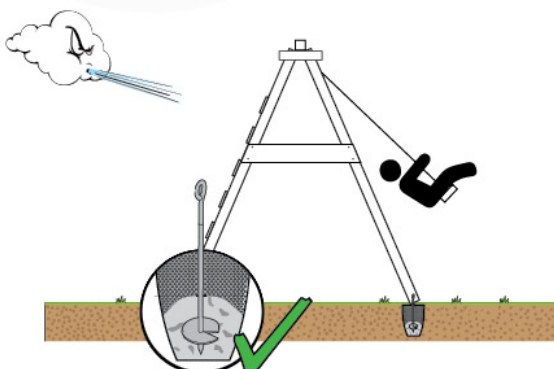
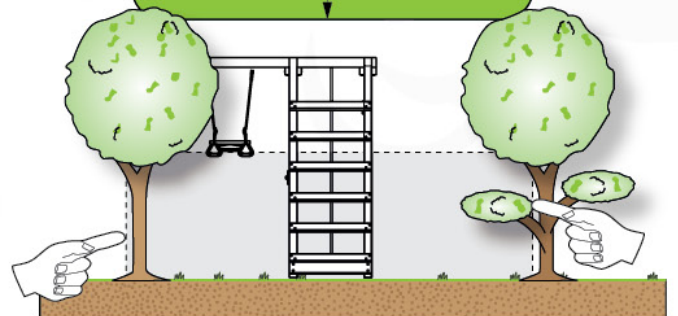
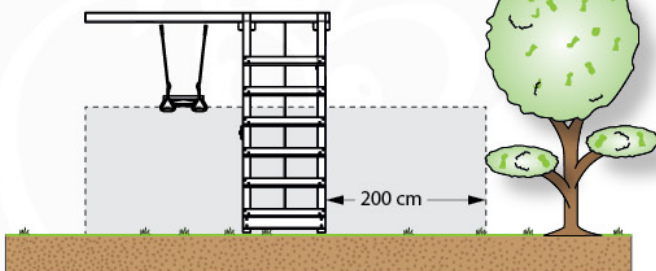
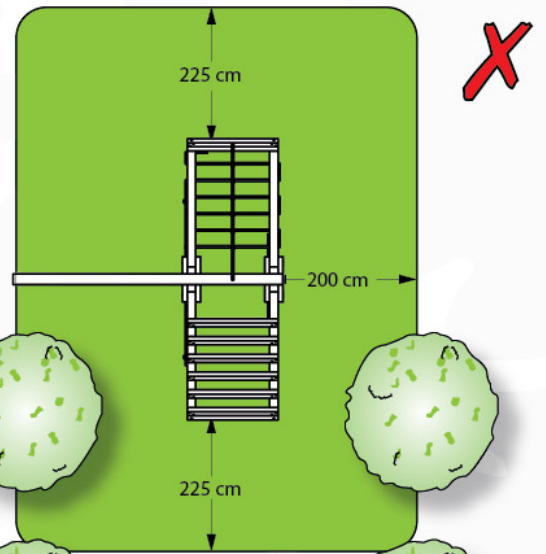
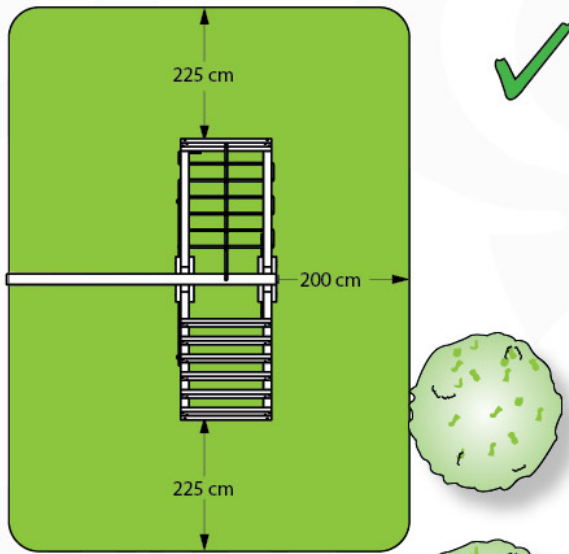
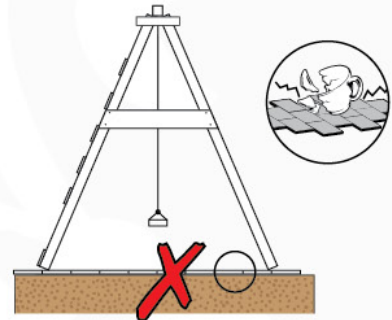
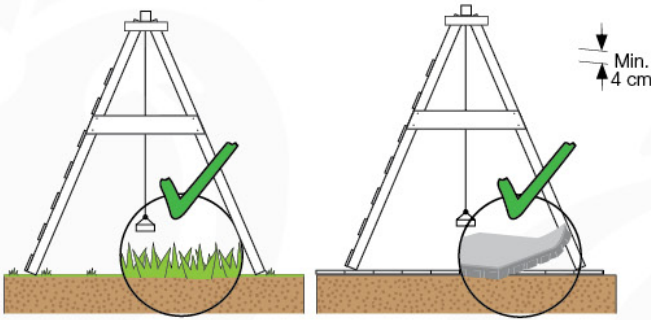
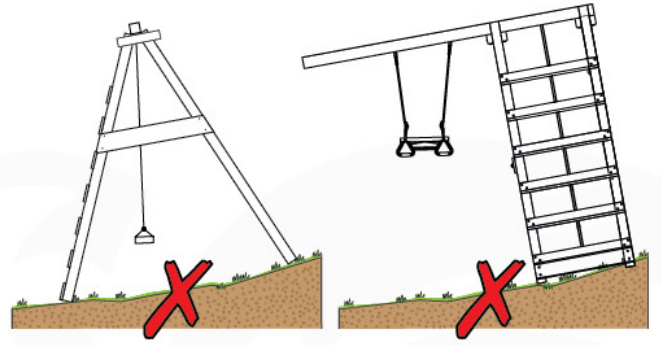
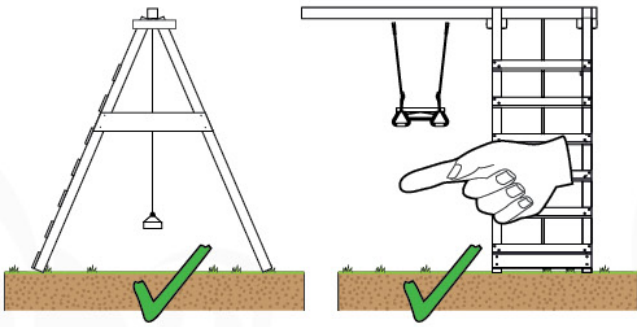
Art. Description: \_\_\_\_\_

Art. Reference: \_\_\_\_\_

**LOT:** \_\_\_\_\_



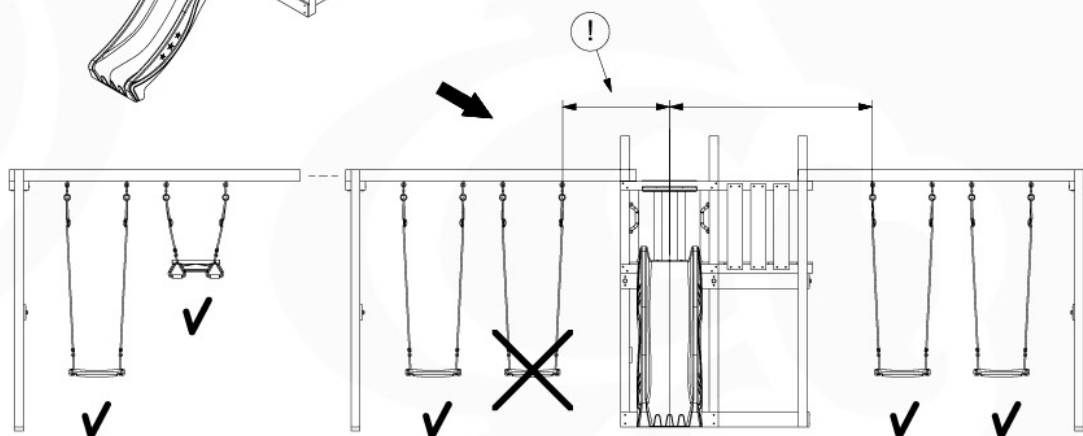
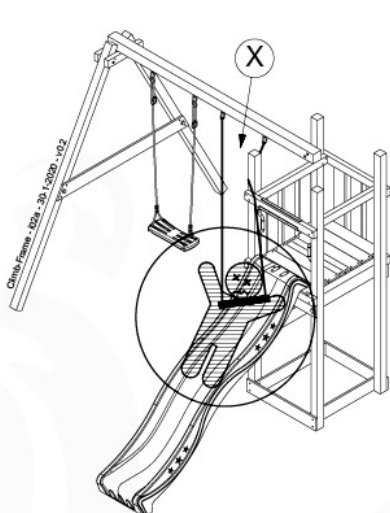
# Safe Playground



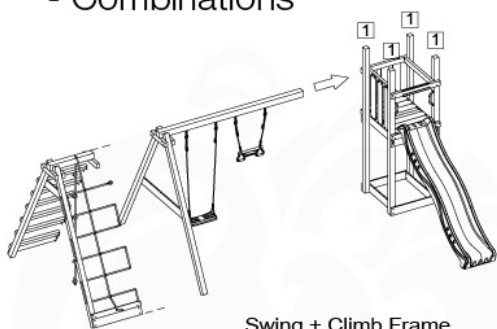


# Planner

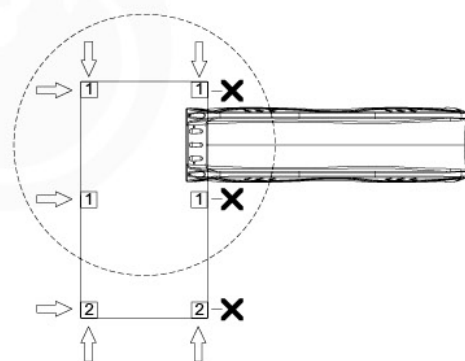
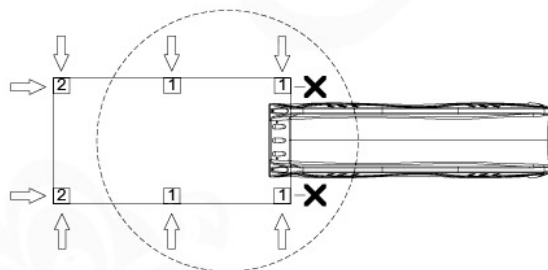
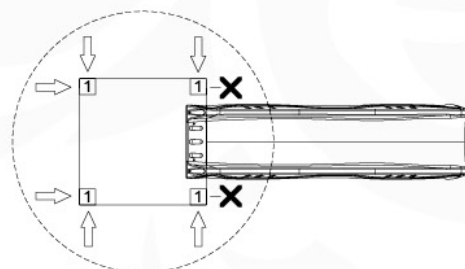
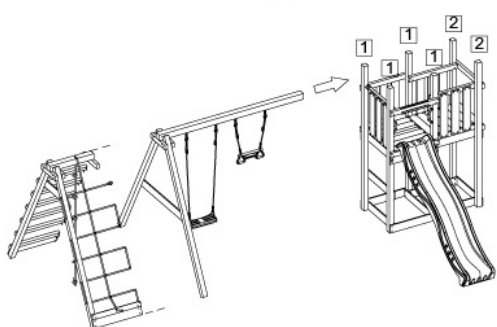
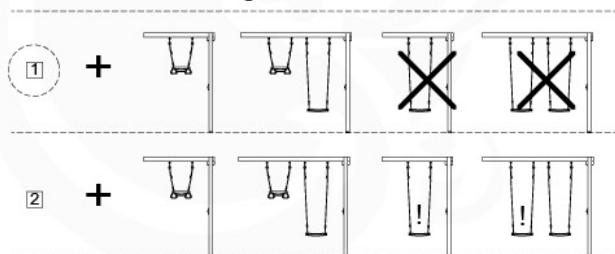
## - Safe Design



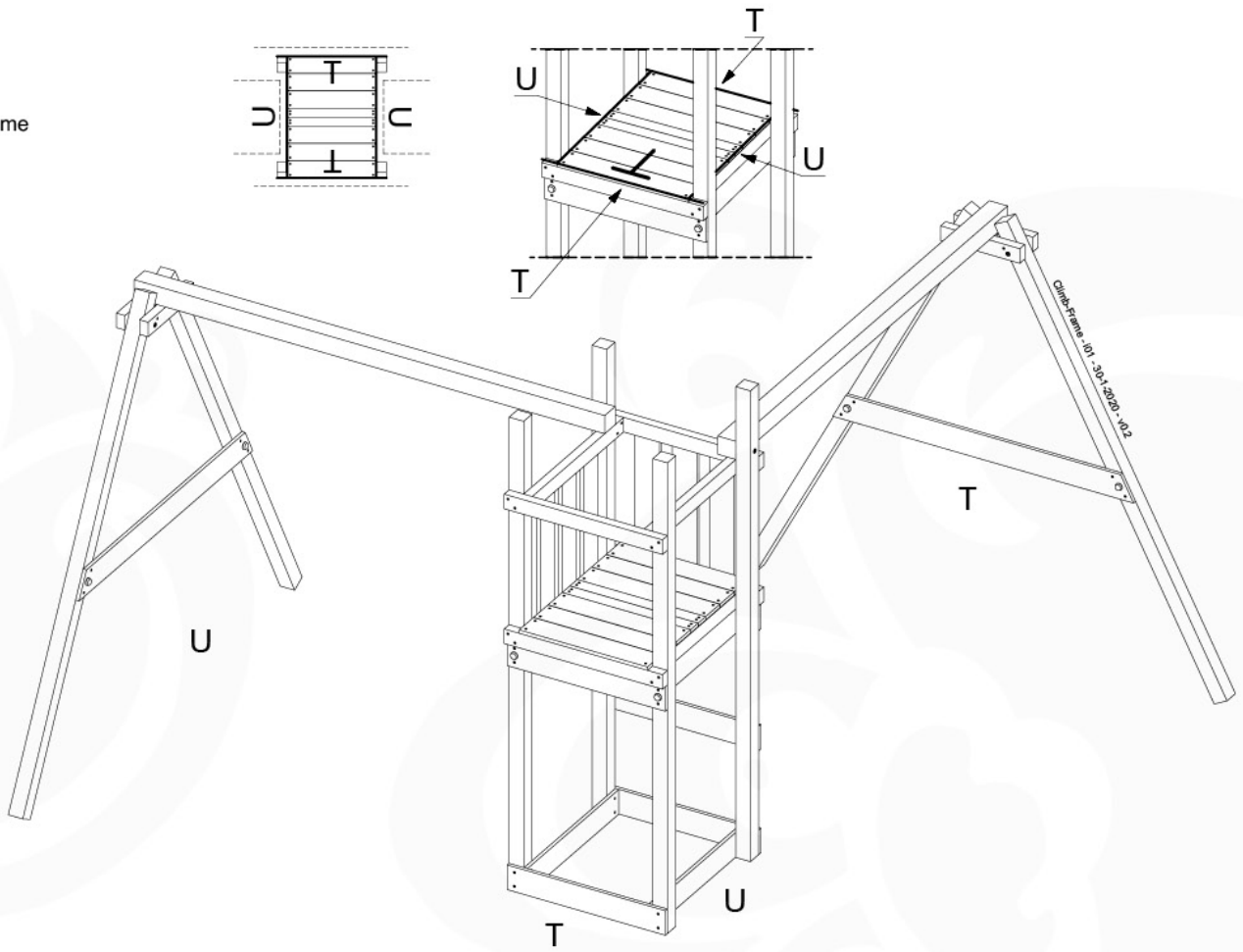
## - Combinations



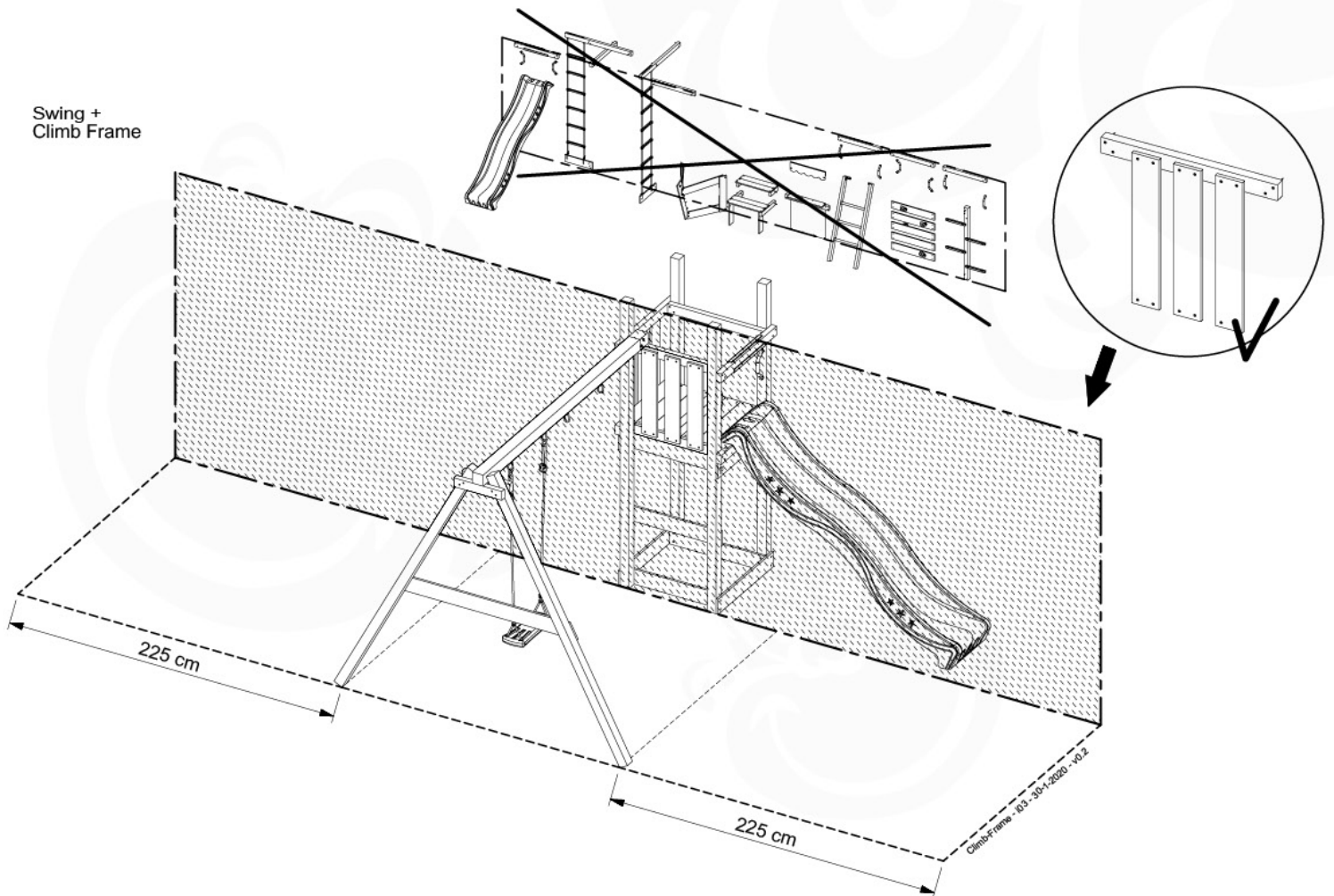
Swing + Climb Frame



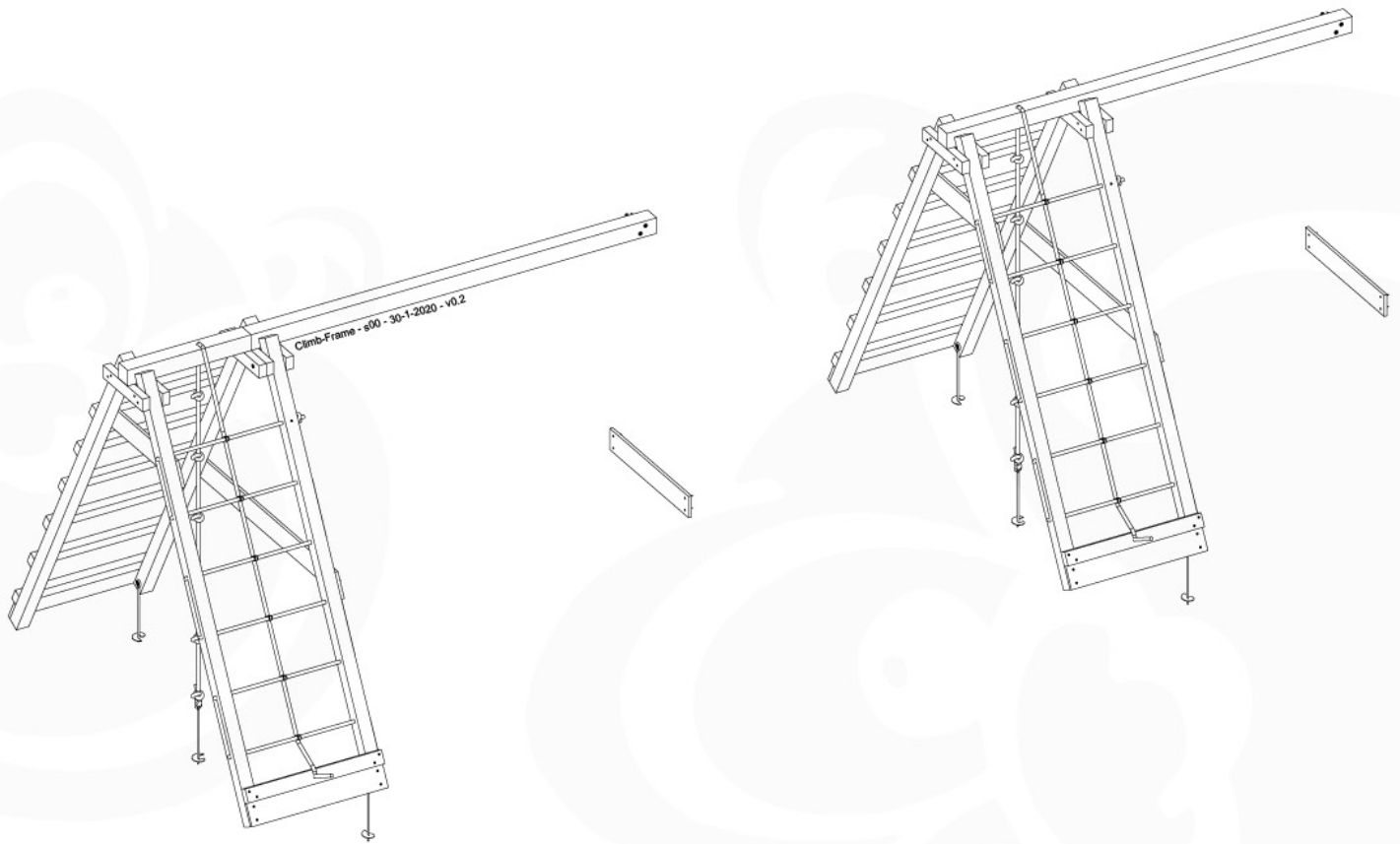
Swing +  
Climb Frame



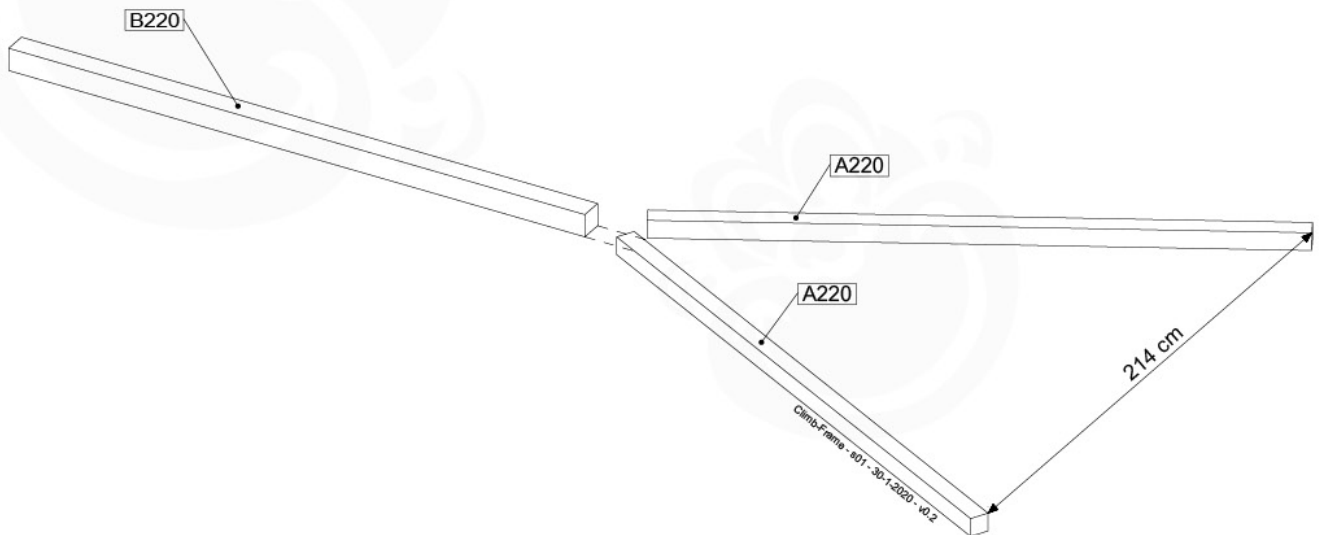
Swing +  
Climb Frame



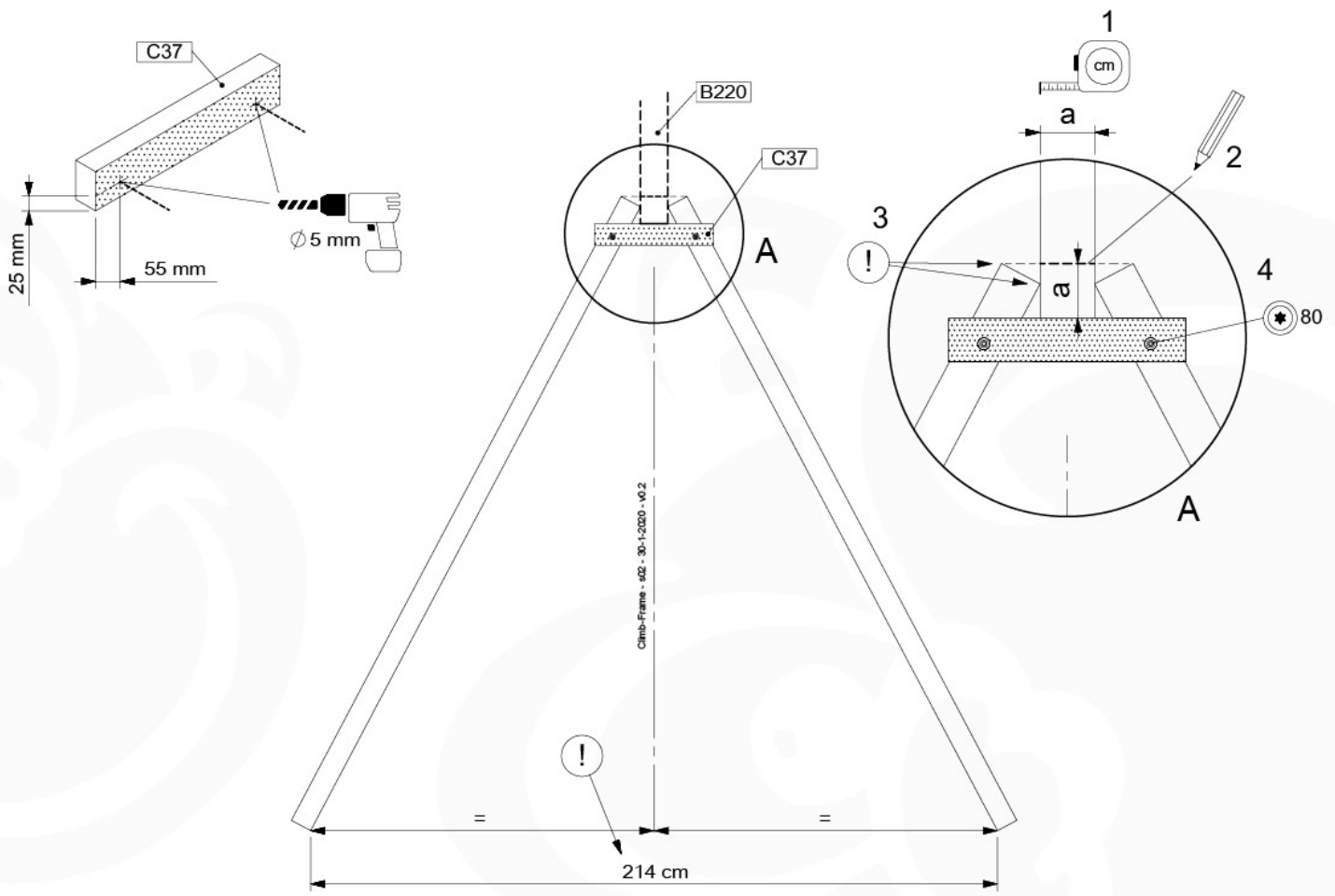
# Assembly



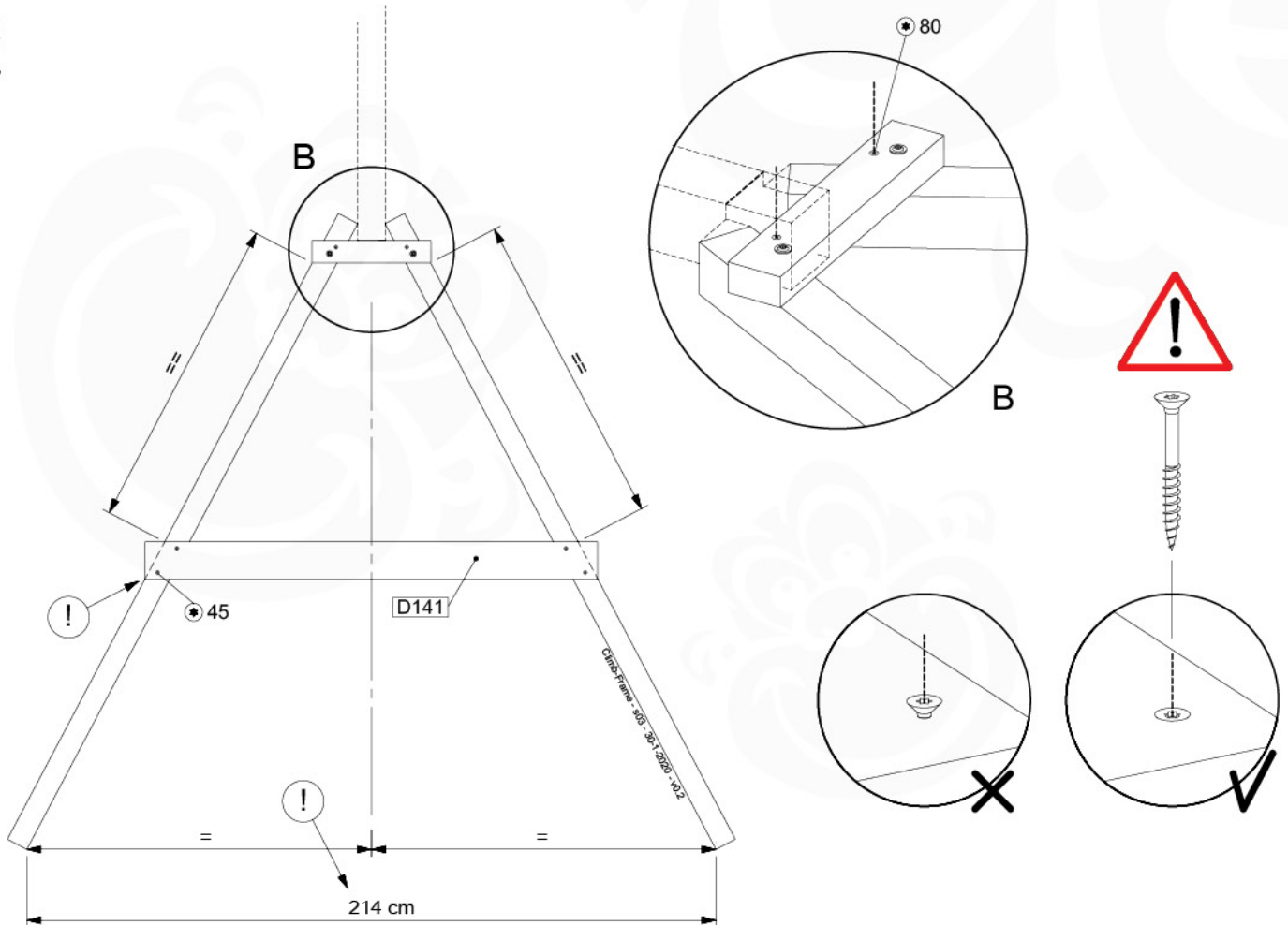
1



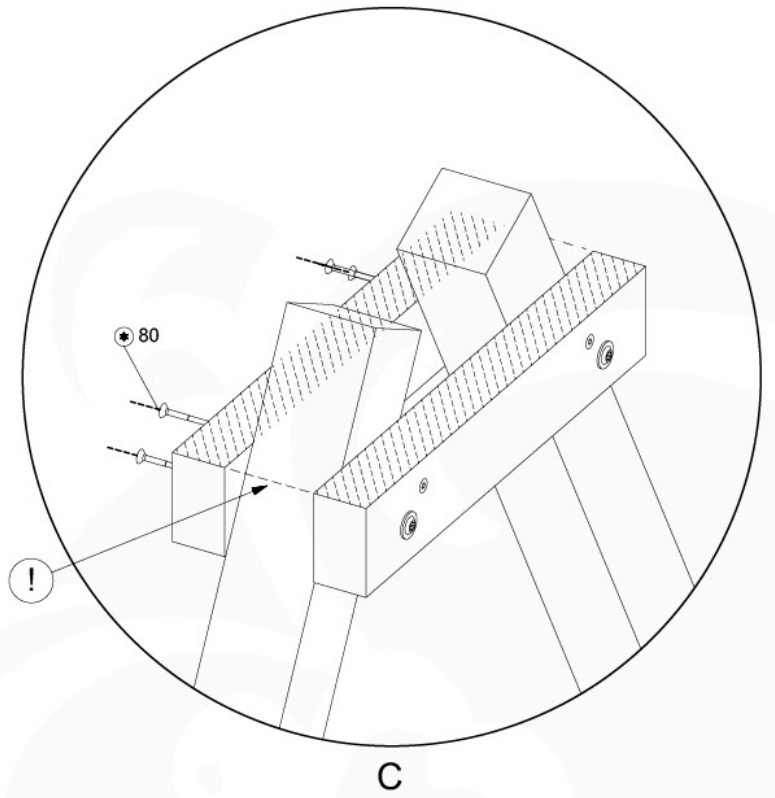
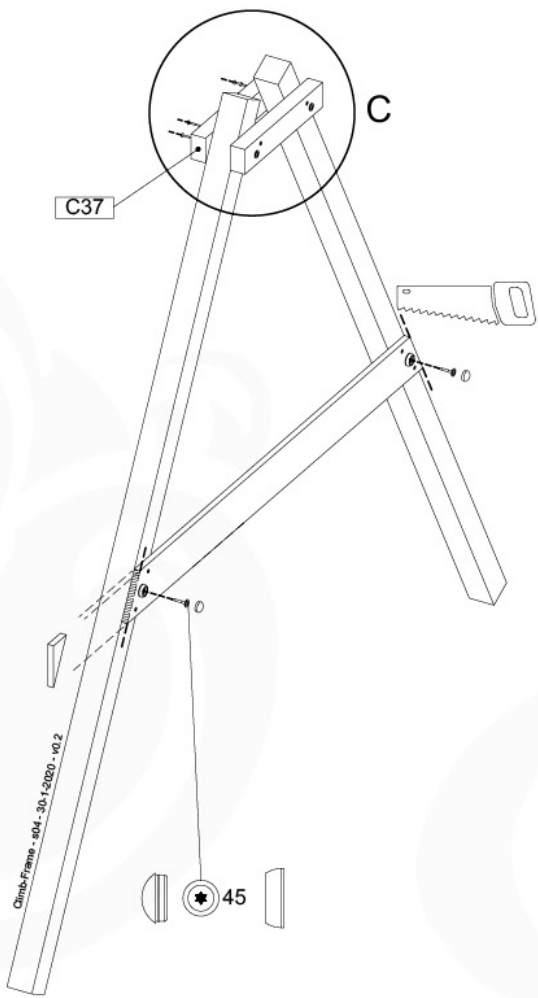
2



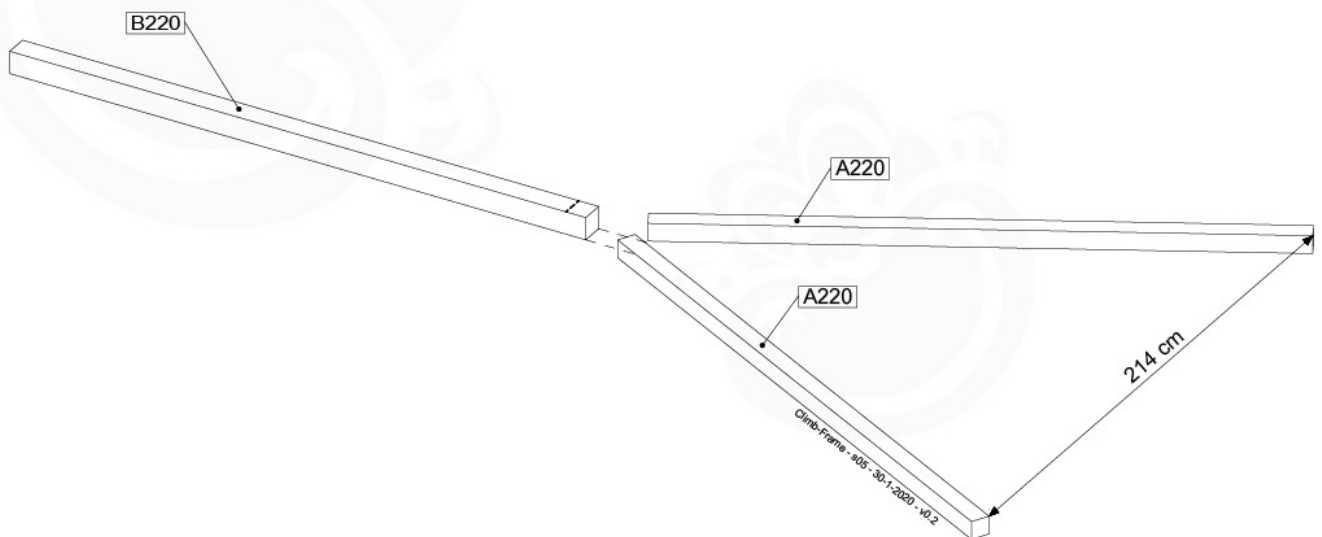
3



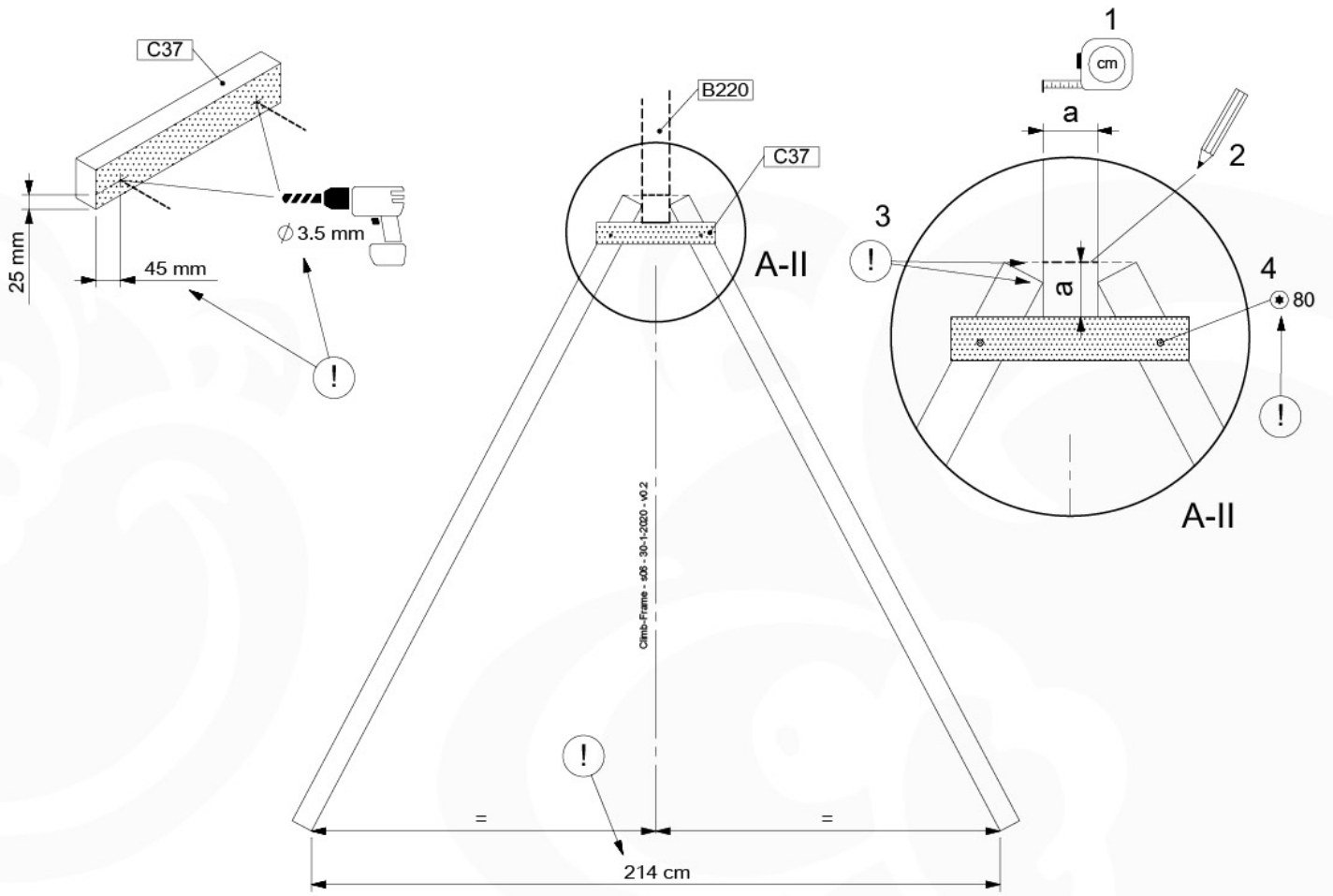
4  
①



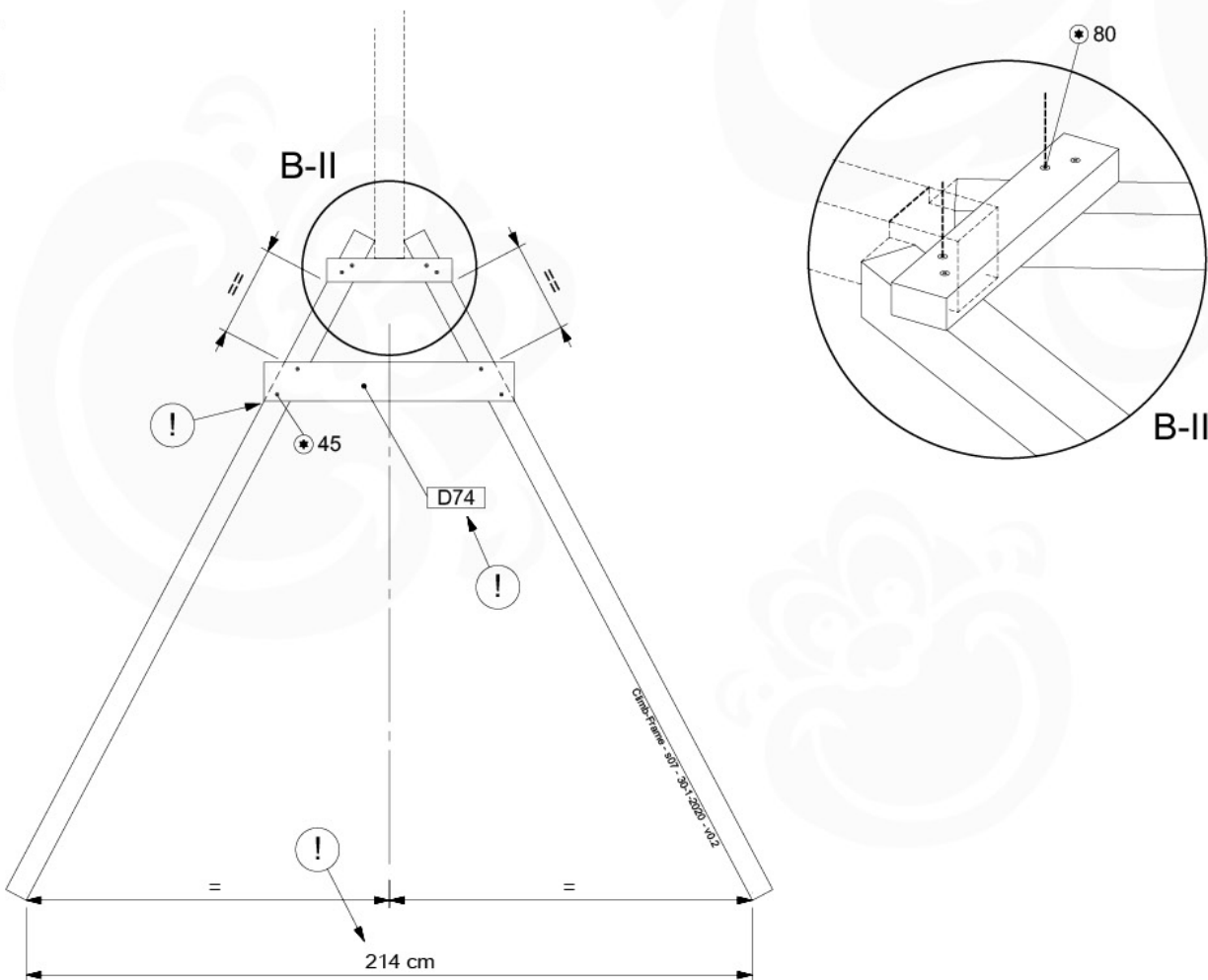
5  
②



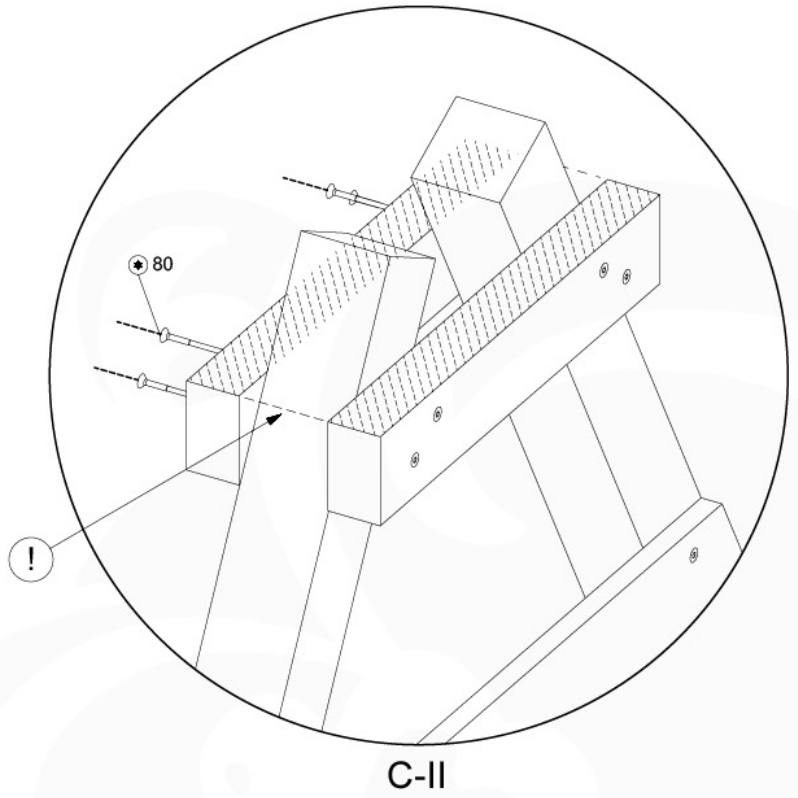
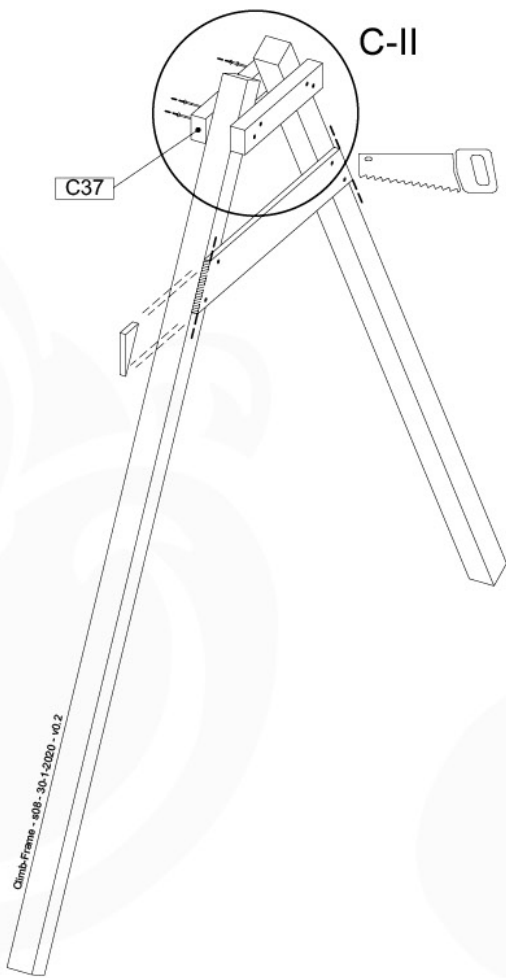
6



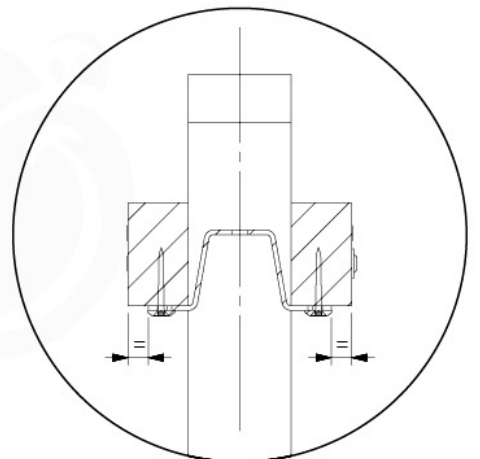
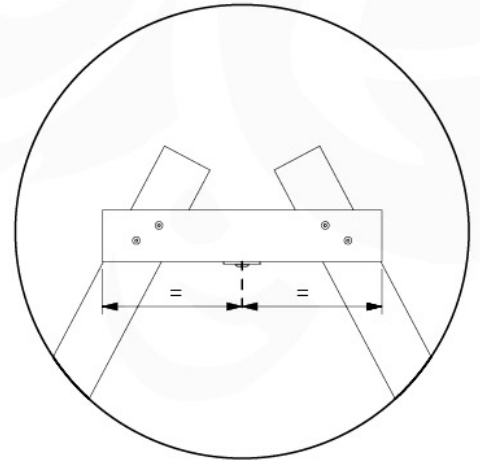
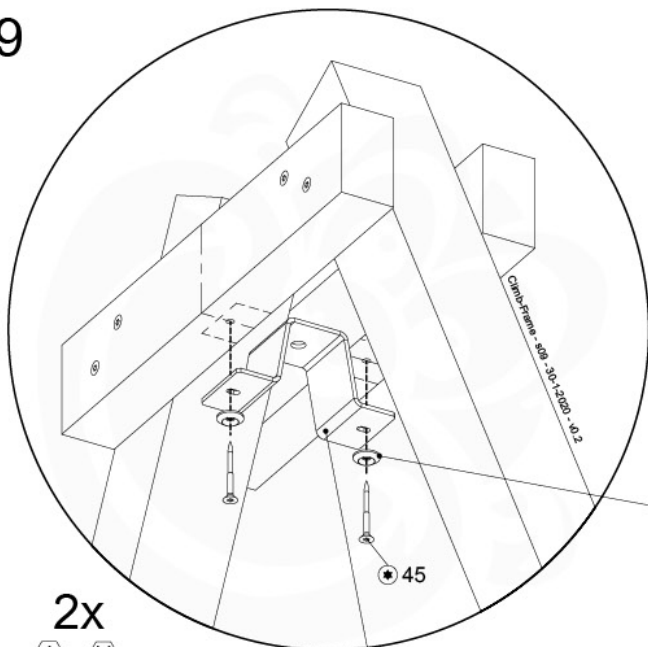
7



8



9

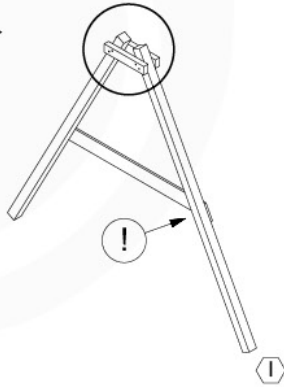
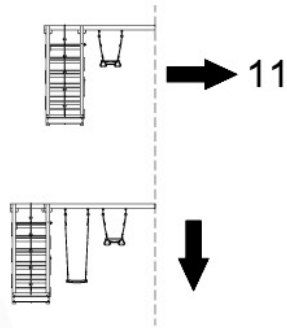


2x

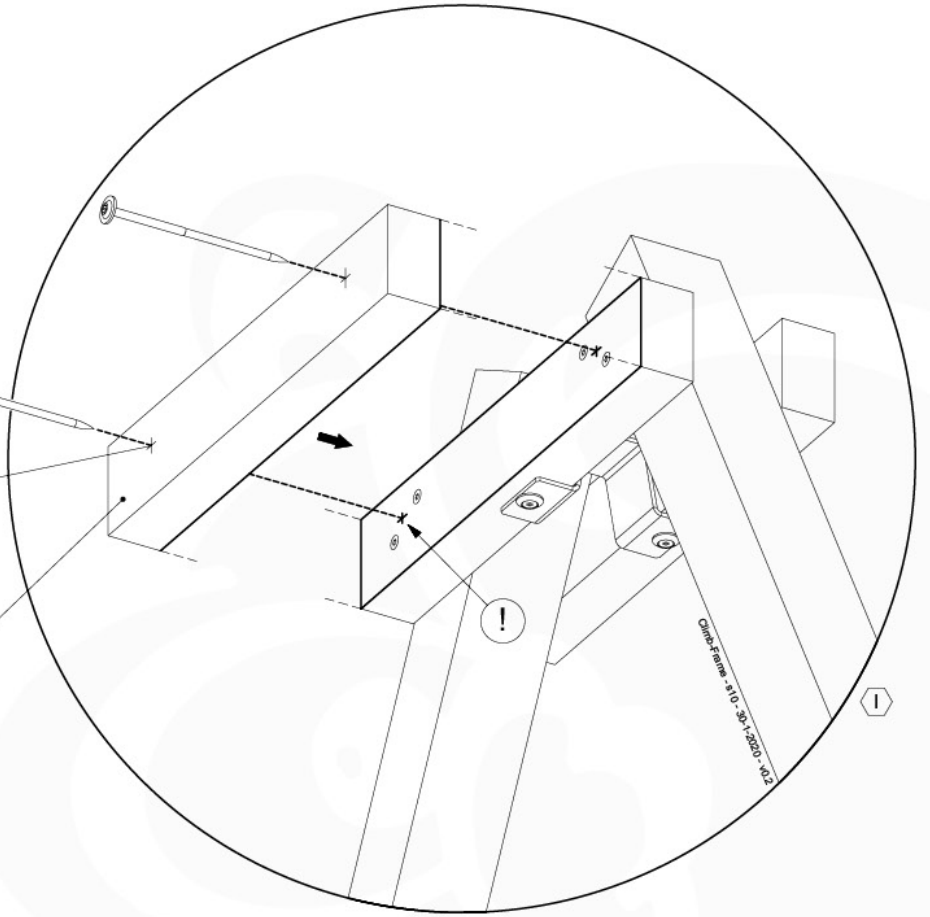
(I) + (II)



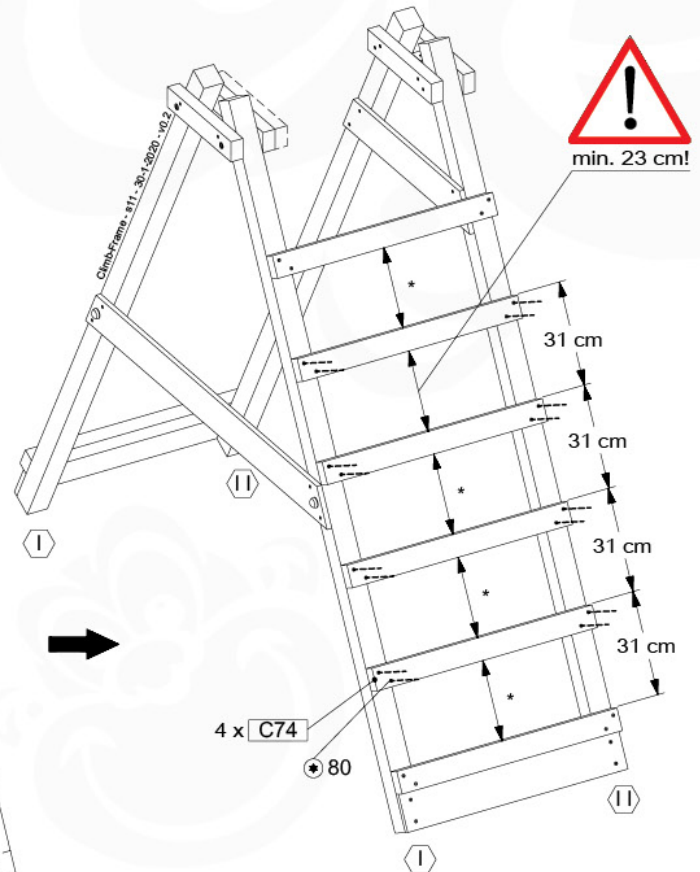
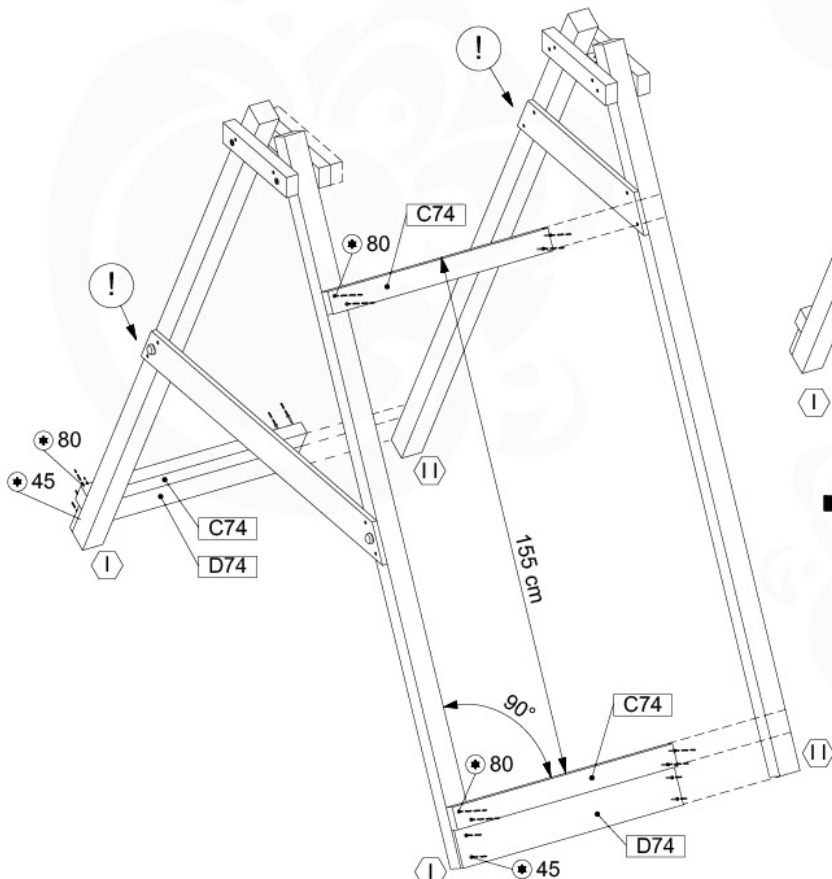
10



C37

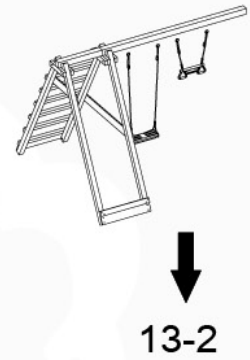
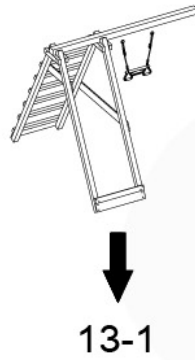
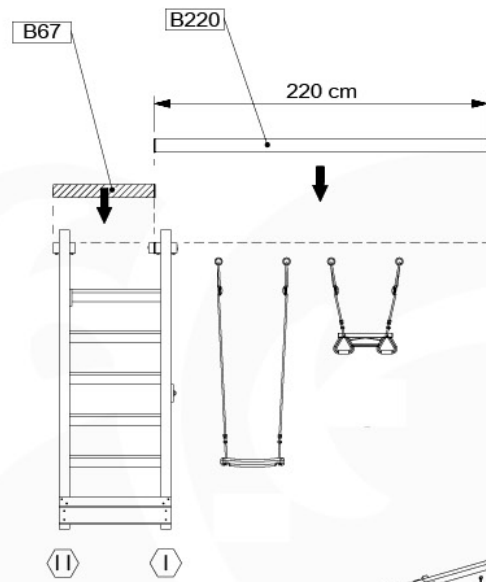
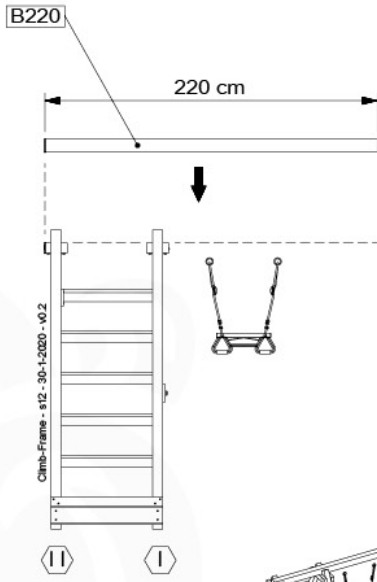


11

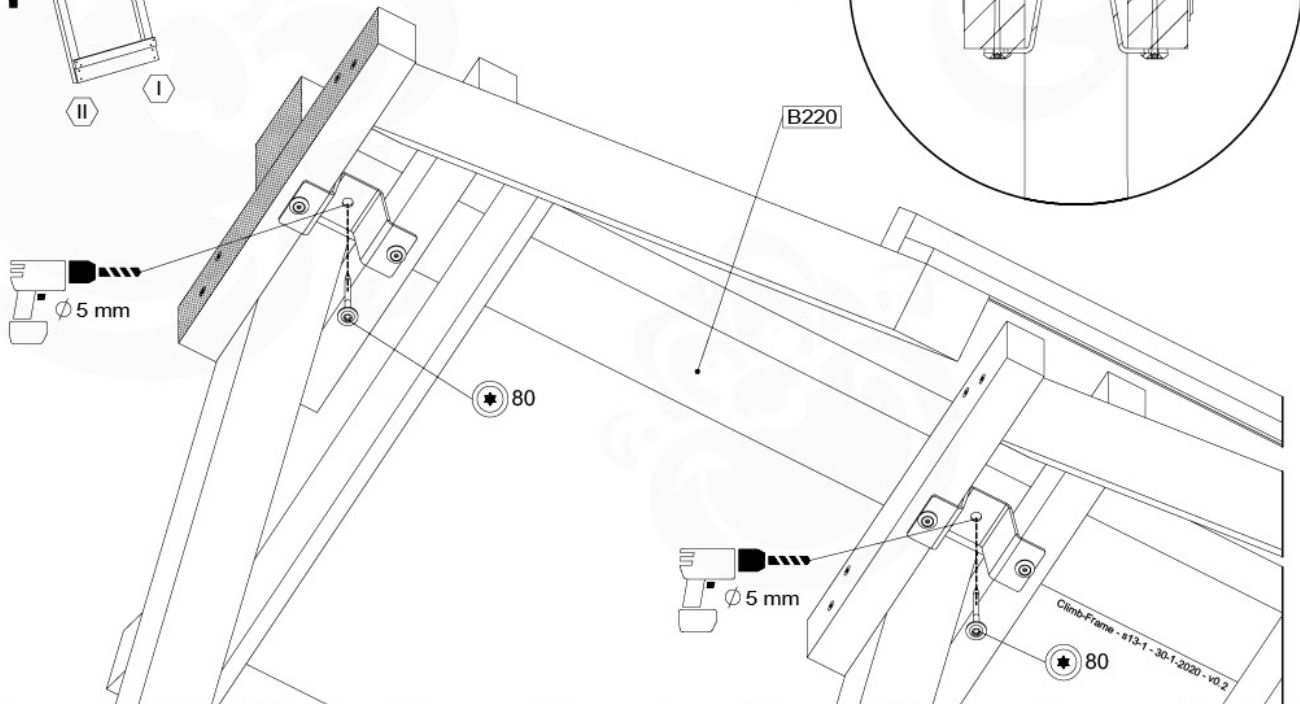
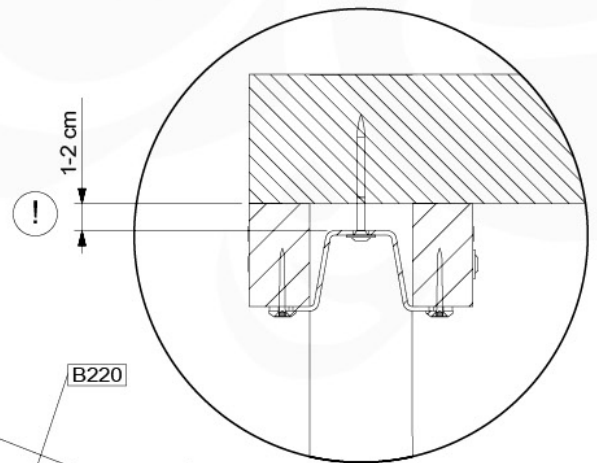
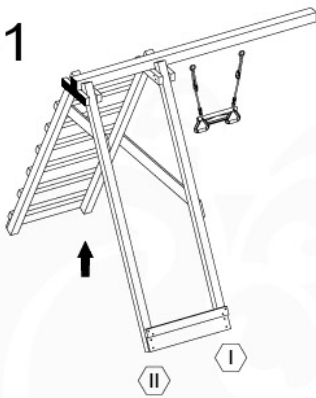




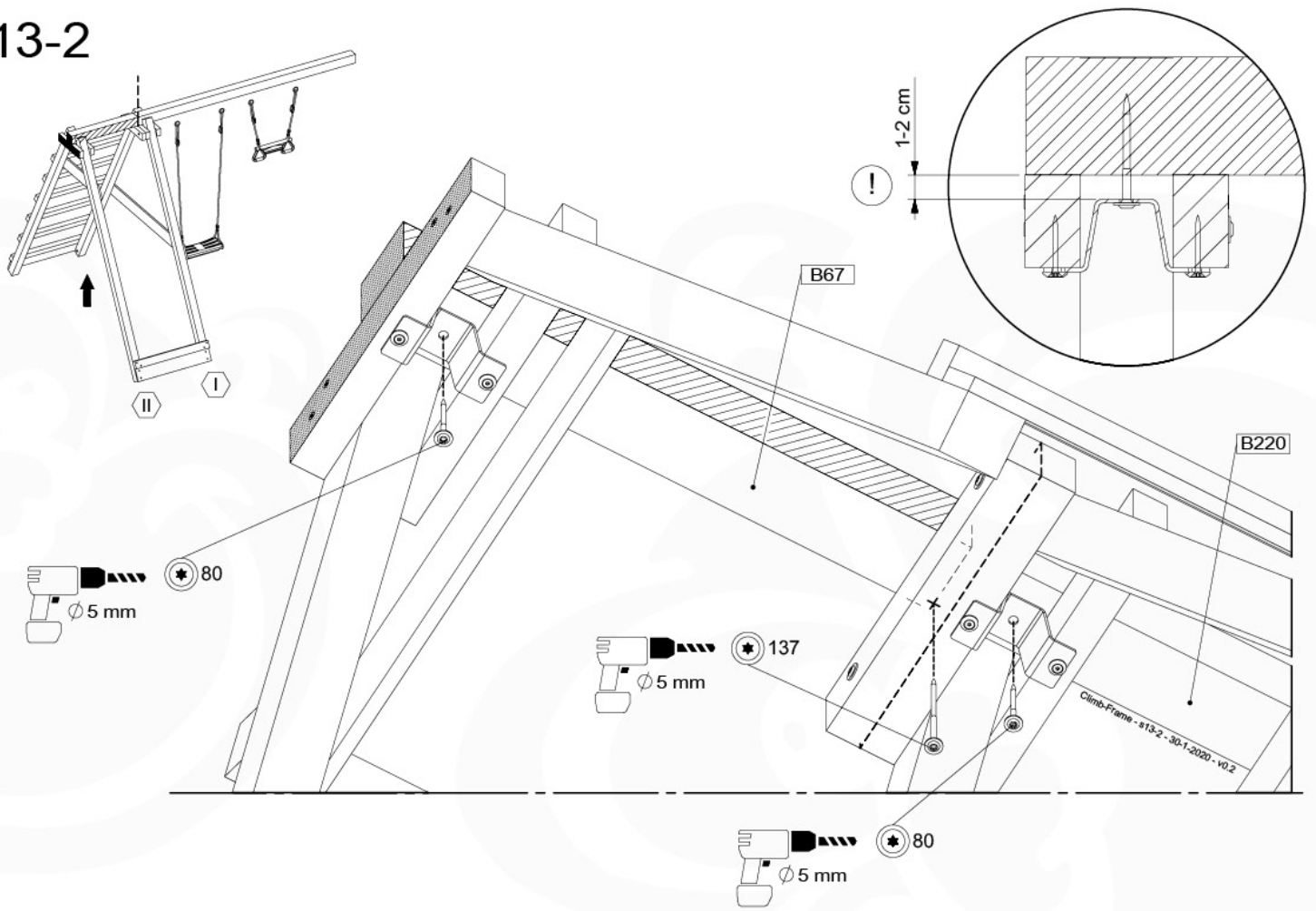
12



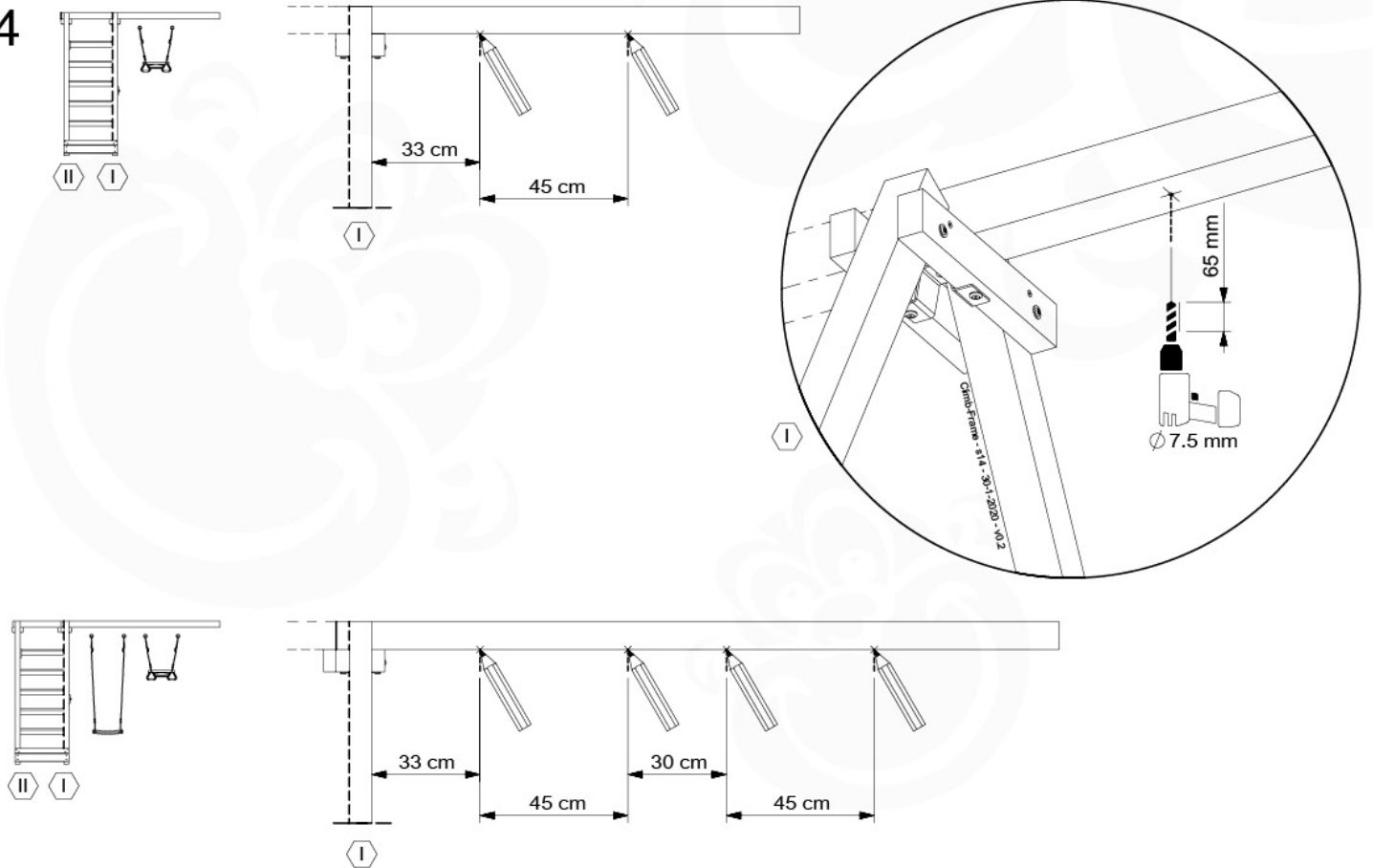
13-1



# 13-2

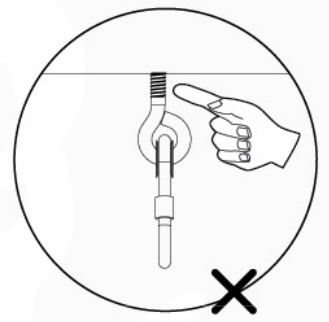
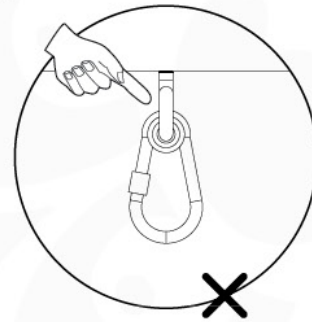
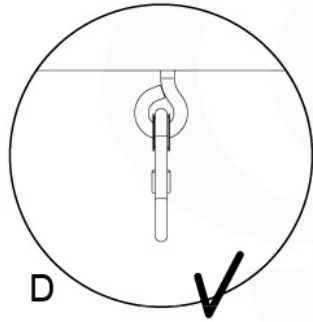
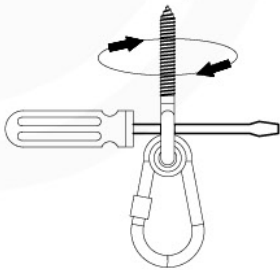
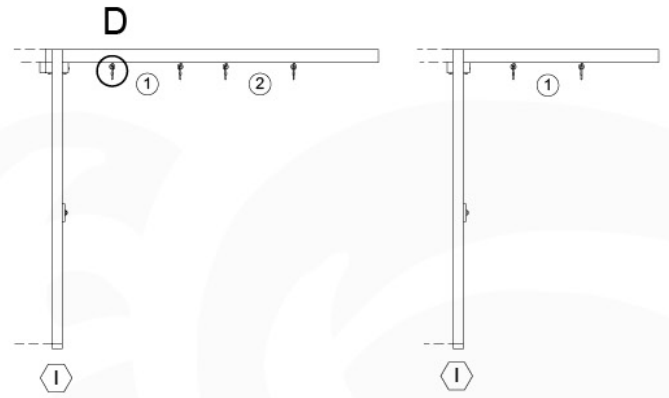
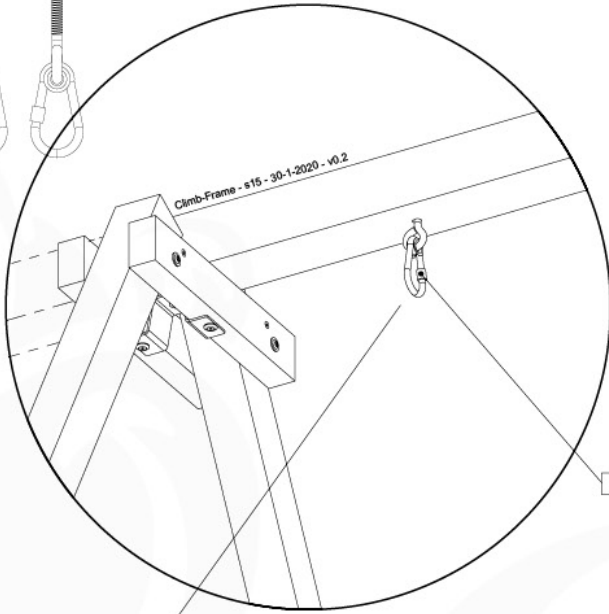
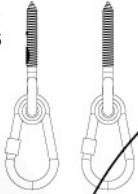


# 14



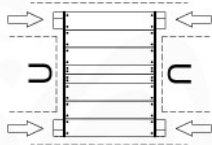
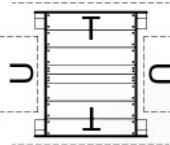
15

2x  
201\_115

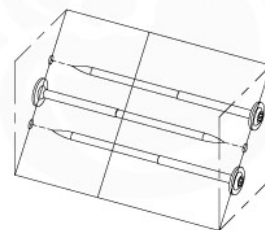
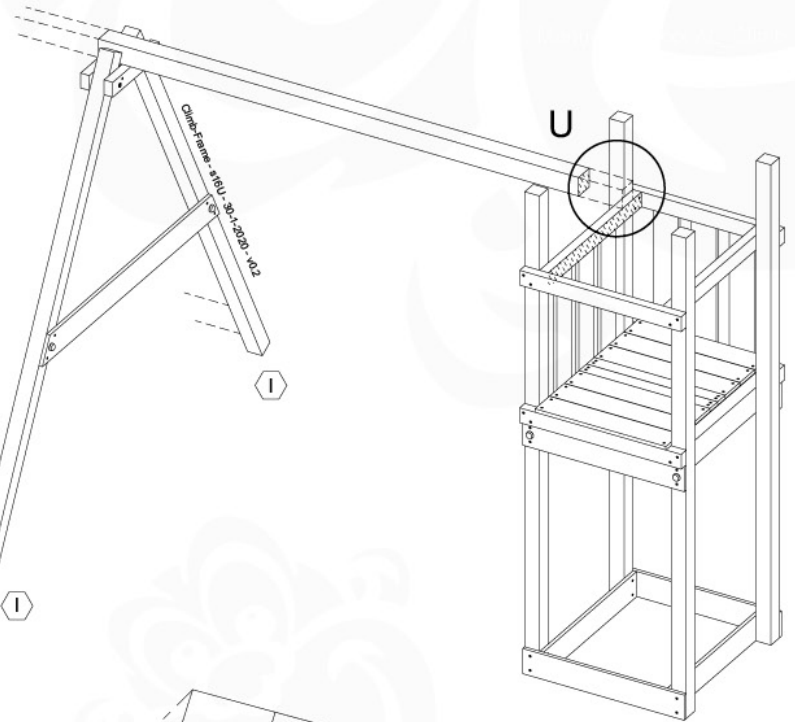
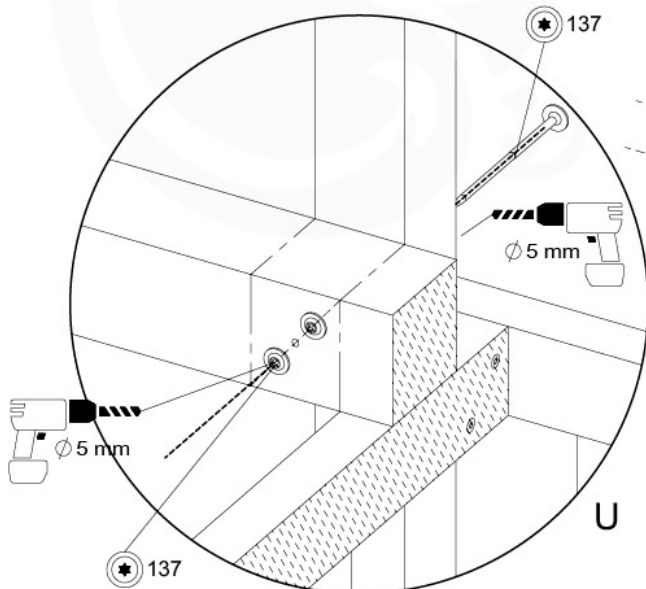


16 (02c)

16-U

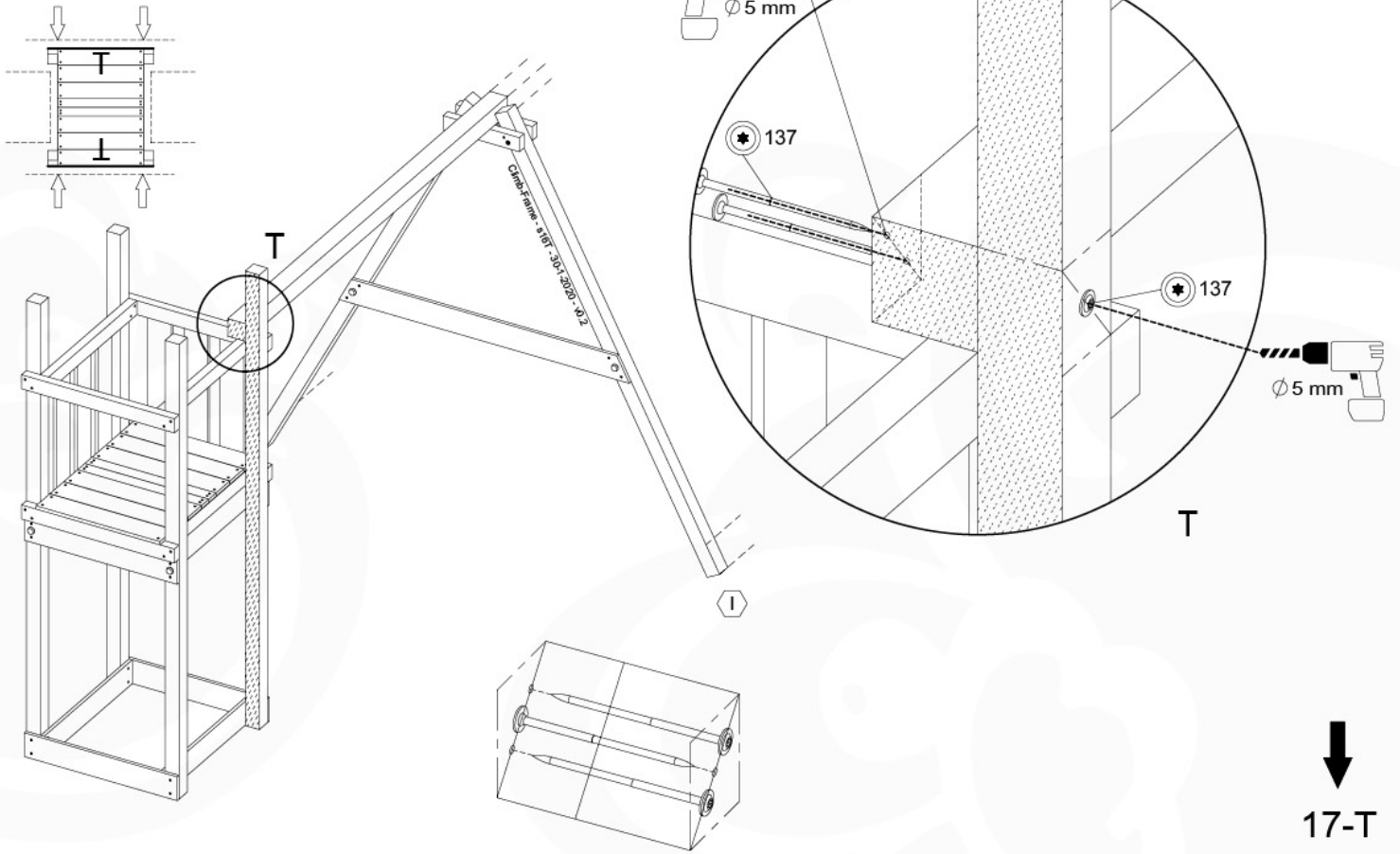


16-T



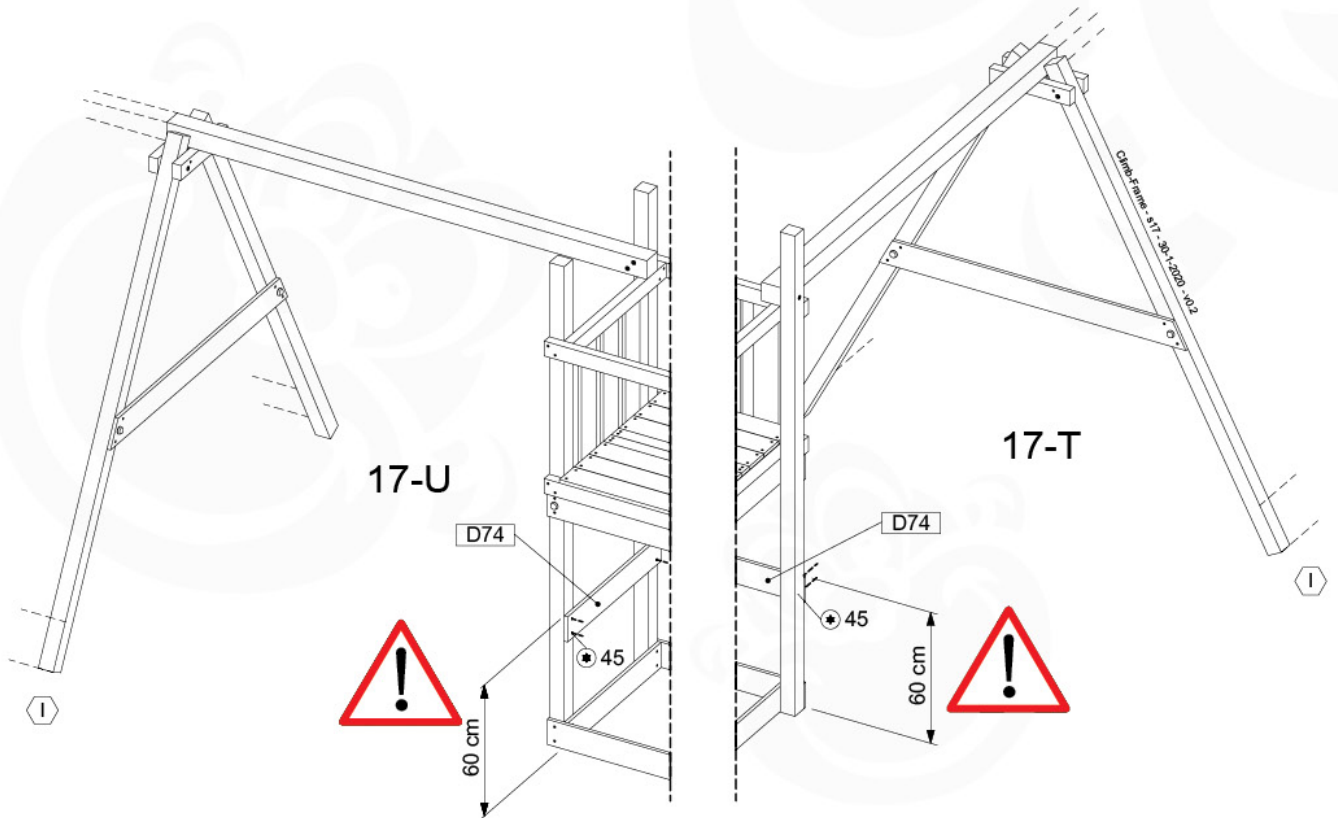
↓  
17-U

# 16-T

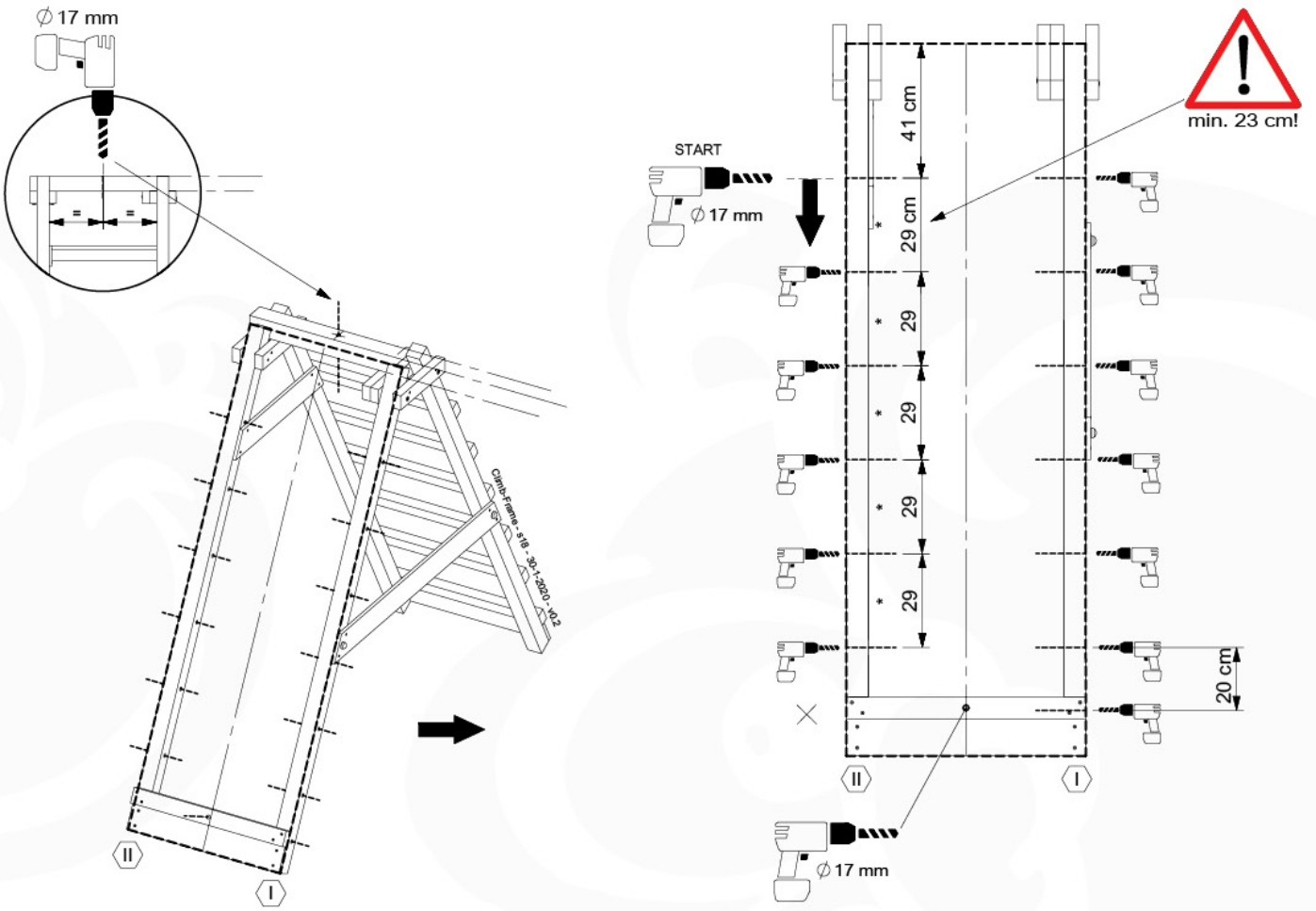


↓  
17-T

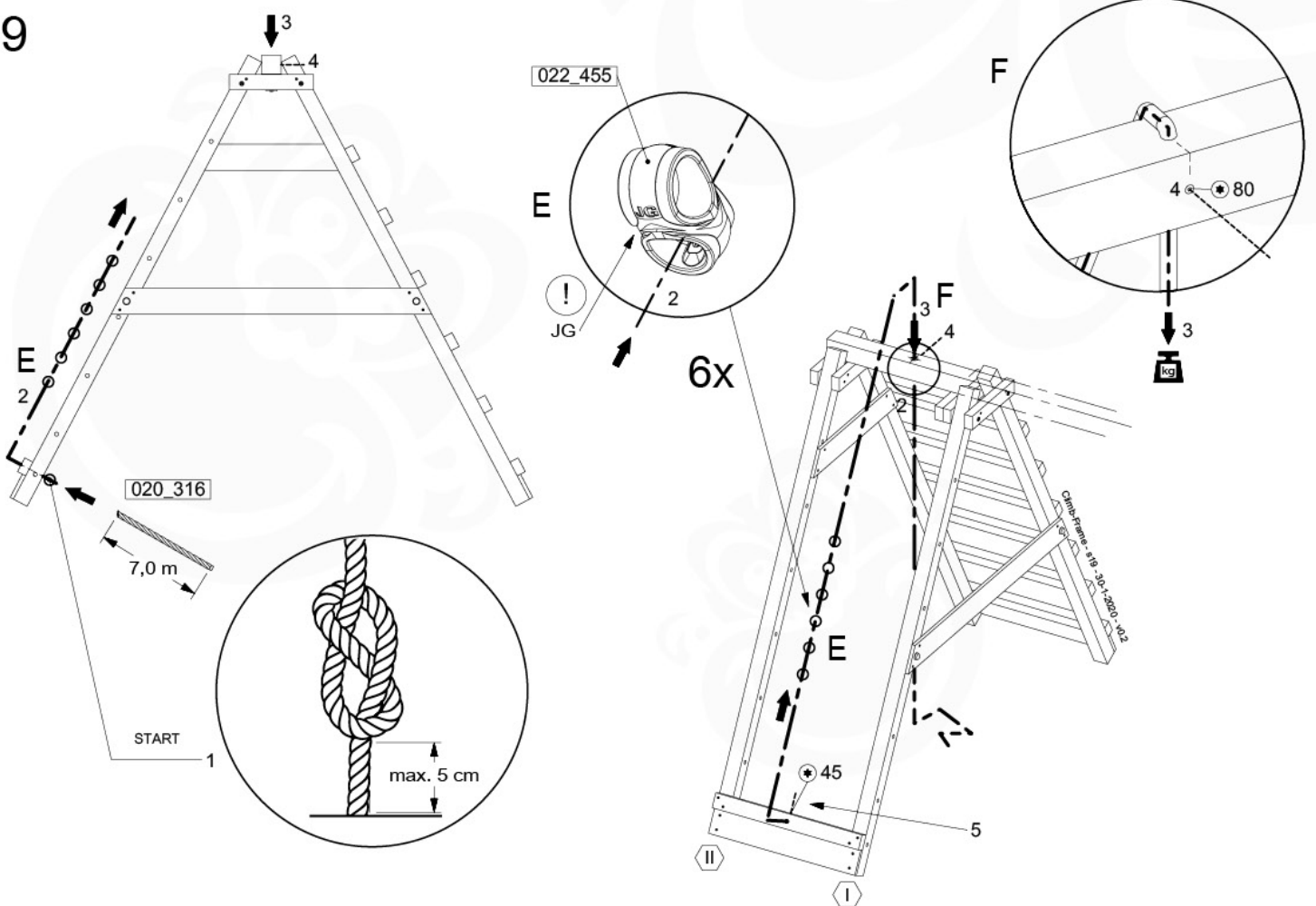
# 17



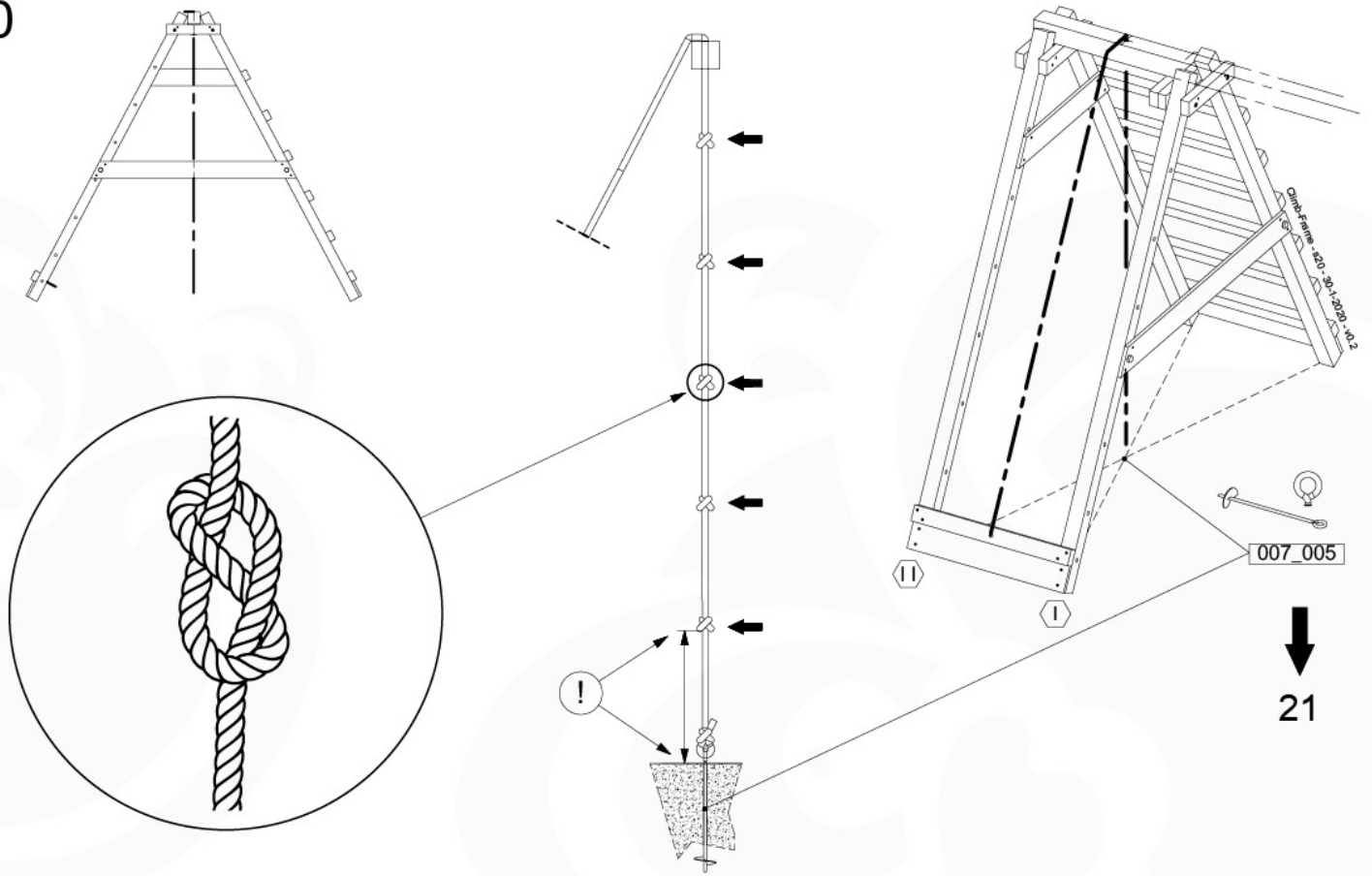
18



19

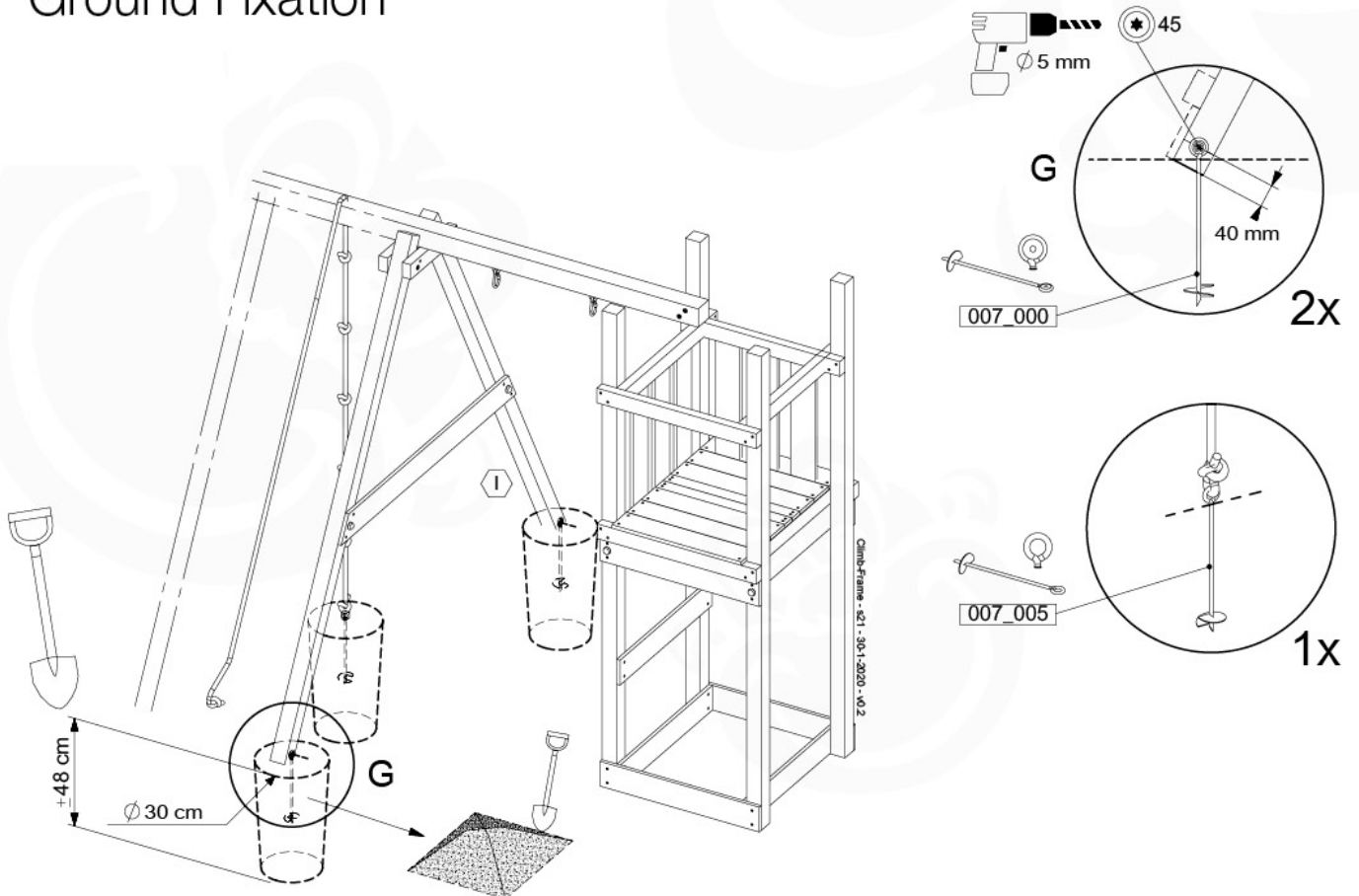


20

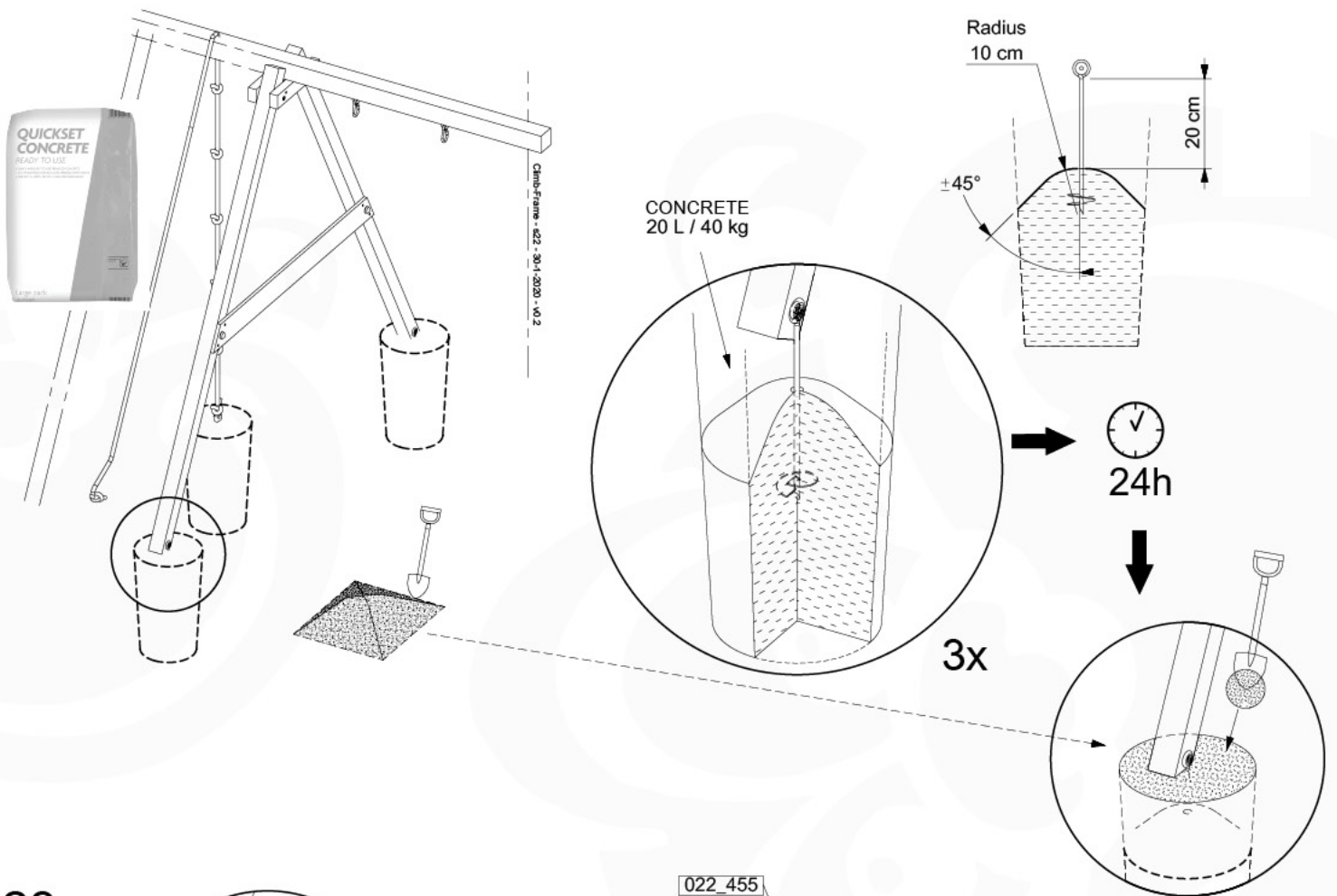


# Anchoring

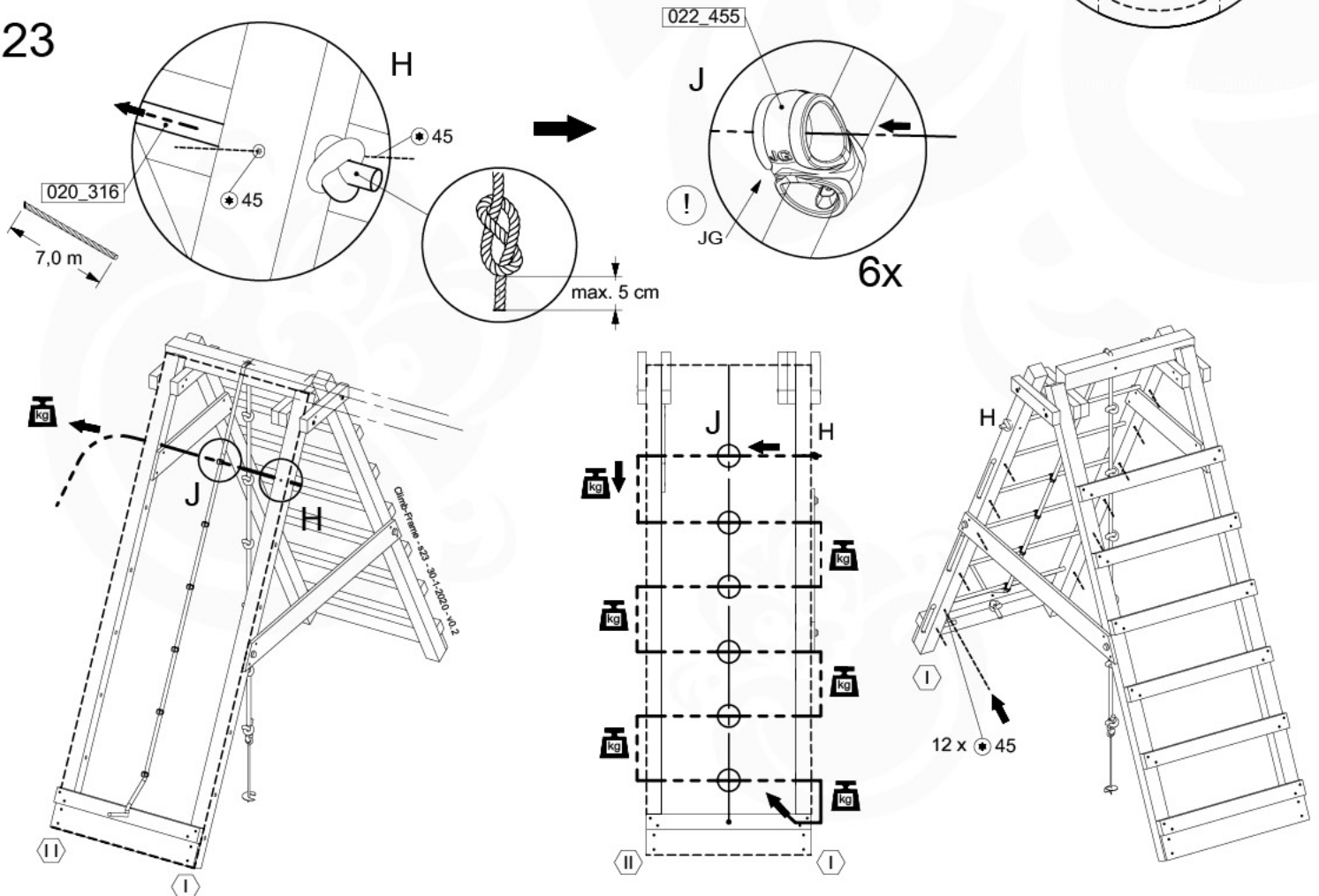
## 21 Ground Fixation

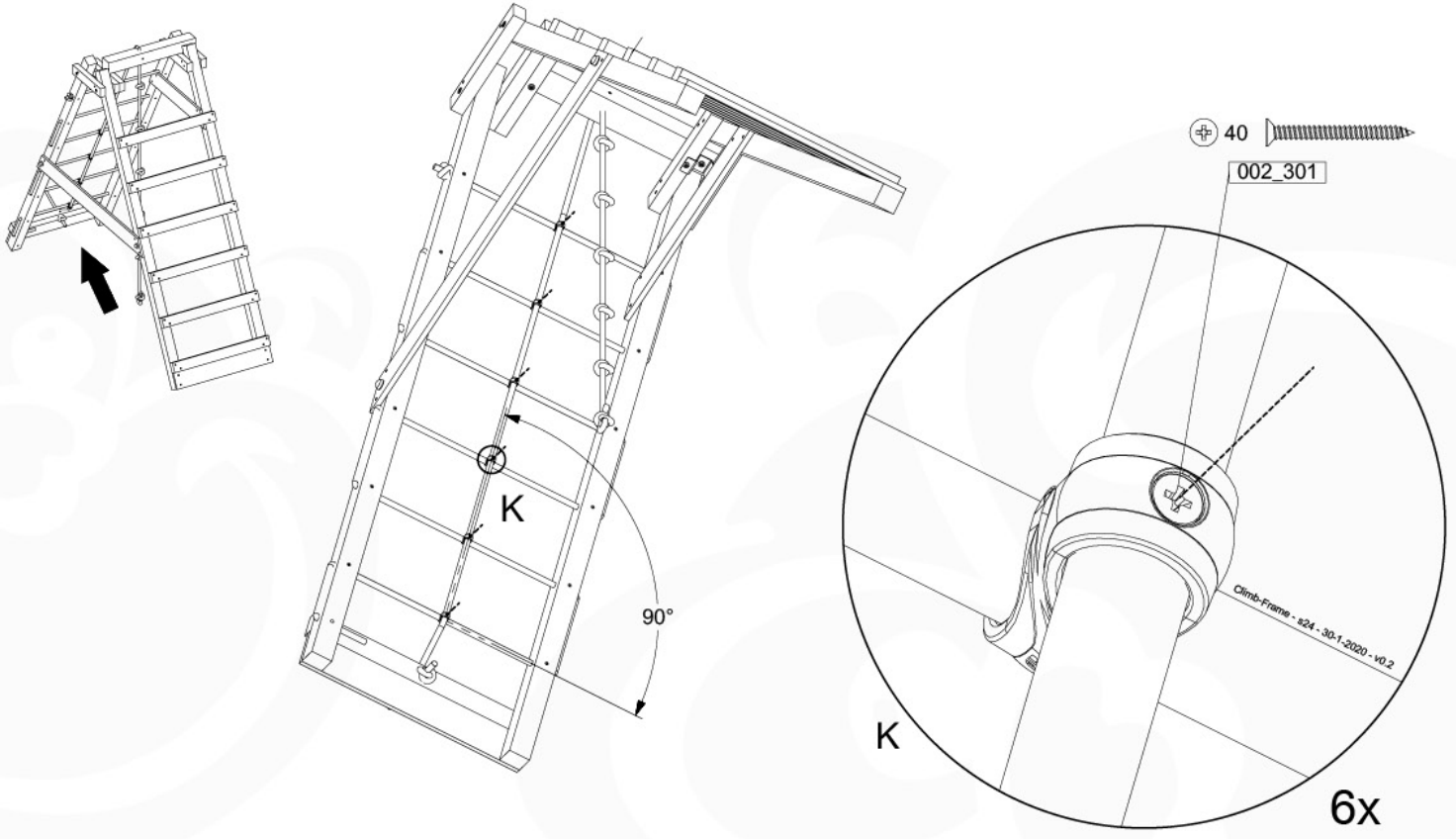


# 22 Concrete Fixation



# 23





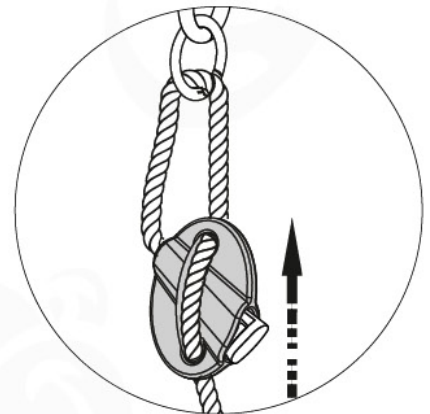
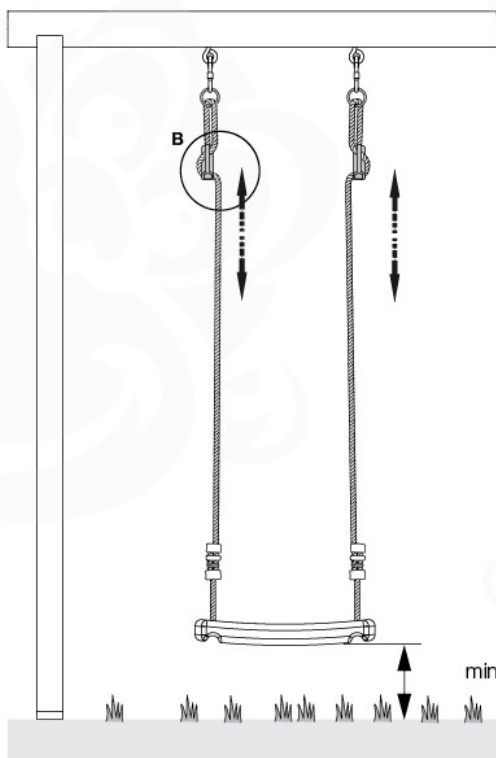
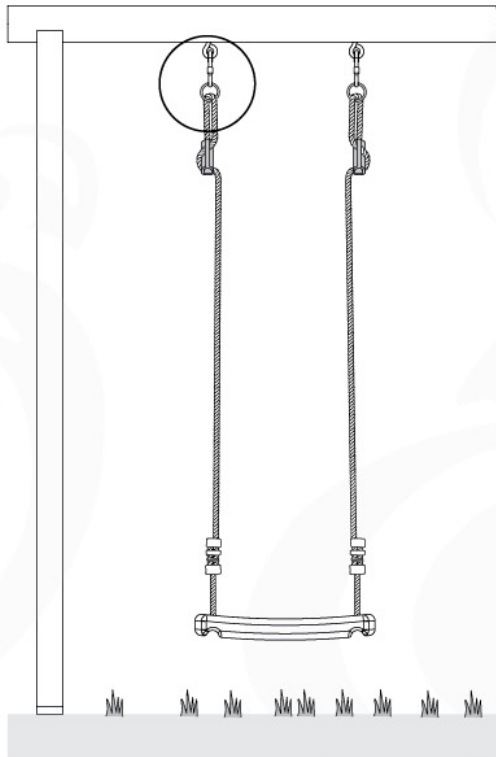


# Accessories

1x  
250\_013



1x  
250\_034



min. 35 cm

# Safety issues

